

DIFFUSER AURIS I MAXI



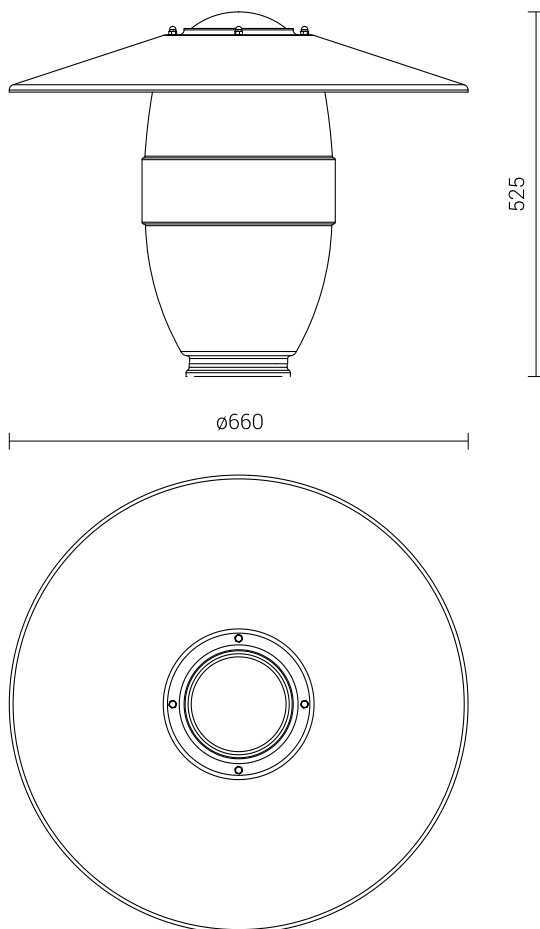
TECHNICAL DATA

Colour transparent

TABLE OF TYPES

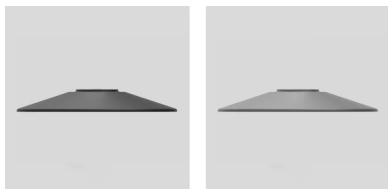
| Code | Symbol | Unit volume | Colour | Compatible luminaires | Lamp diffuser neck | Net weight | Maximum luminaire power |
|--------|-----------------------|---------------------|---------------|-----------------------|--------------------|------------|--------------------------------|
| 671362 | AURIS I Maxi pc k-150 | 0.04 m ³ | • transparent | - | 150 mm | 1.9 kg | sodium and metal halide - 150W |

TECHNICAL DRAWING



ADDITIONAL ELEMENTS

DIFFUSER AURIS I MAXI



| Code | Name | Colour | Material | Externat diameter |
|--------|----------------|--------------|-----------------|-------------------|
| 923662 | Auris Maxi cap | black | aluminium sheet | 660mm |
| 923663 | Auris Maxi cap | other colour | aluminium sheet | 660mm |