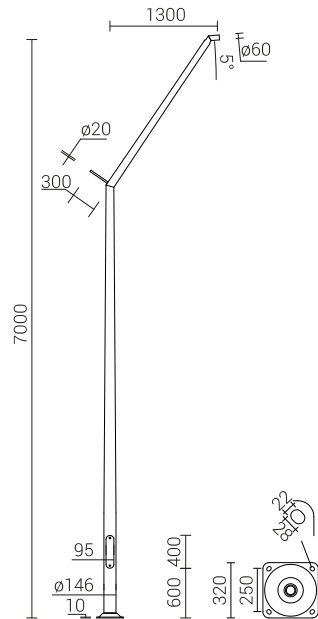
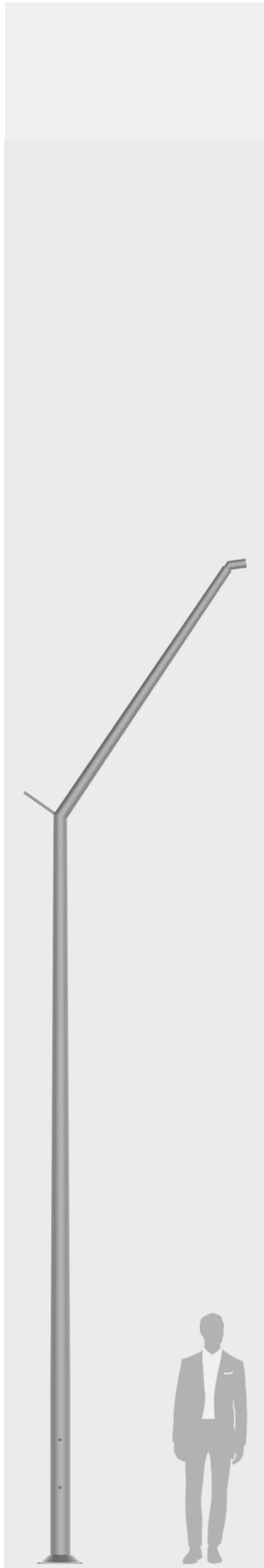


Aluminium column SAL-DL-1

146 mm at the base plate



TECHNICAL DATA

Anodising	10 colours
Luminaire mounting	directly on the extension arm, luminaires with $\varnothing 42$ mm or $\varnothing 60$ mm mounting with weight and surface parameters not exceeding the data from the strength table included in the technical data sheet
Packing	sleeve material
Performance under vehicle impact (passive safety)	50-NE-B-S-SE-MD-0, 70-NE-B-S-SE-MD-0, 100-NE-B-S-SE-MD-0
Diameter at the base plate	146 mm
Finish	brushed anodised aluminium, option of elastomer protection in column's colour up to a height of 350 mm (other height on customer's request)
Ingress protection	IP54 for wire chamber

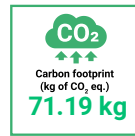


TABLE OF TYPES

Code	Symbol	Height of the column [H]	Wall thickness	Unit volume	Concrete footing / reinforcement basket type	Concrete footing / reinforcement basket code	Fasteners	Net weight
42993/C...	SAL-DL-1	7 m	4.2 mm	1.09 m ³	B-60 / Z-60	311160 / 311206	4008	32.7 kg

STRENGTH TABLE

SAL-DL1	Acceptable windage of single luminaire [m ²] for Cx=1			
code 42993	Vref. = 22 m/s	Vref. = 24 m/s	Vref. = 26 m/s	Vref. = 28 m/s
Permissible weight of a single luminaire [kg]	Zone I, terrain category II	Zone I and III, terrain category II up to 450m a.s.l.	Zone II, terrain category II	Zone III, terrain category II up to 755m a.s.l.
15	0,29	0,22	0,16	0,12

We perform individual strength calculations for other wind zones and wind speeds