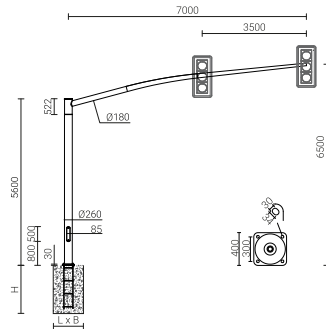


Aluminium column SAL SYG 260-6,5-7

260mm at the base plate



TECHNICAL DATA

| | |
|-----------------------------------|---|
| Anodising | 10 colours |
| Packing | sleeve material |
| Diameter at the base plate | 260mm |
| Finish | brushed anodised aluminium, option of elastomer protection in column's colour up to a height of 350 mm (other height on customer's request) |
| Purpose | designed for hanging traffic lights at road intersections, pedestrian crossings etc. |

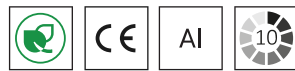


TABLE OF TYPES

| Code | Symbol | Height of the column [H] | Wall thickness | Unit volume | Concrete footing / reinforcement basket type | Concrete footing / reinforcement basket code | Fasteners | Net weight |
|------------|-------------------|--------------------------|----------------|---------------------|--|--|-----------|------------|
| 42851/C... | SAL SYG 260-6,5-7 | 6.5 m | 5.5 mm | 1.55 m ³ | Z-80 | 311208 | 4012 | 147.2 kg |

STRENGTH TABLE

| SAL SYG 260-6,5-7 | Acceptable windage of trac signal lights and signs [m ²] for Cx=1,2 | | |
|---|---|----------------------------------|--|
| code 42851 | Vref. = 22 m/s | Vref. = 22 m/s | Vref. = 24 m/s |
| Acceptable mass of single trac signal light | I zone, IV Field category | I zone, III Field category | I i III zone, III Field category up to 450m n.p.m. |
| 25 [kg] | ¹⁾ 1,49 m ² | ¹⁾ 1,28m ² | ¹⁾ 1,10m ² |

¹⁾ Increasing the weight of the trac lights set affects the load capacity of the column and reduces the permissible surface of the the trac lights set, which requires the analysis of the column in terms of strength and determination of a new permissible surface of the set.

²⁾ In order to determine the foundation dimensions, please send the catalog cards of the equipment that will be installed on the column and its arrangement. For the values presented in the chart and the arrangement of signaling devices as shown in the diagram below, it is recommended to make a cast foundation with dimensions LxBxH=0,6x0,6x1,6m

