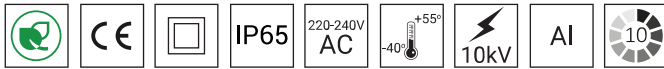




## TECHNICAL DATA

Anodising	10 colours
Diffuser	transparent
Application	surrounding office buildings, parks, pedestrians
Ingress protection	IP 65
Material	anodised aluminium alloy
Expected useful lifetime	L90B10 - 100 000 h
CRI	>70
Input voltage frequency	50/60Hz
Number of LED	1

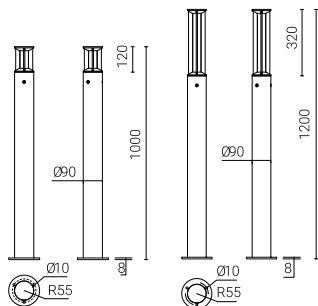


IK10

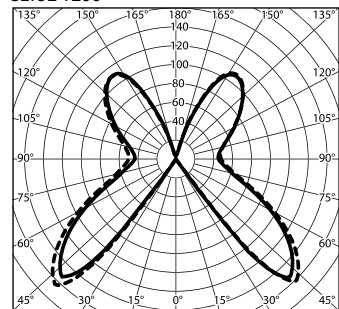
## TABLE OF VARIANTS

Code	Symbol	Height of the column [H]	LED power	Luminaire power consumption	LED forward current	Colour temperature (CCT)	Luminaire luminous flux <sup>1</sup>	Luminous efficacy <sup>1</sup>	Unit volume	Concrete footing / reinforcement basket type	Concrete footing / reinforcement basket code	Net weight
45290/1/C...	SLICE LED 1000	1 000 mm	12 W	14 W	700 mA	2700 K	350 lm	25 lm/W	0.021 m <sup>3</sup>	B-0A / Z-0A	311100A / 311200A	4.6 kg
45290/3/C...	SLICE LED 1000	1 000 mm	12 W	14 W	700 mA	3500 K	450 lm	32 lm/W	0.021 m <sup>3</sup>	B-0A / Z-0A	311100A / 311200A	4.6 kg
45290/4/C...	SLICE LED 1000	1 000 mm	12 W	14 W	700 mA	4000 K	500 lm	35 lm/W	0.021 m <sup>3</sup>	B-0A / Z-0A	311100A / 311200A	4.6 kg
45290/6/C...	SLICE LED 1000	1 000 mm	12 W	14 W	700 mA	5000 K	500 lm	35 lm/W	0.021 m <sup>3</sup>	B-0A / Z-0A	311100A / 311200A	4.6 kg
45291/1/C...	SLICE LED 1200	1 200 mm	12 W	14 W	700 mA	2700 K	850 lm	61 lm/W	0.025 m <sup>3</sup>	B-0A / Z-0A	311100A / 311200A	5.3 kg
45291/3/C...	SLICE LED 1200	1 200 mm	12 W	14 W	700 mA	3500 K	1000 lm	71 lm/W	0.025 m <sup>3</sup>	B-0A / Z-0A	311100A / 311200A	5.3 kg
45291/4/C...	SLICE LED 1200	1 200 mm	12 W	14 W	700 mA	4000 K	1050 lm	75 lm/W	0.025 m <sup>3</sup>	B-0A / Z-0A	311100A / 311200A	5.3 kg
45291/6/C...	SLICE LED 1200	1 200 mm	12 W	14 W	700 mA	5000 K	1050 lm	75 lm/W	0.025 m <sup>3</sup>	B-0A / Z-0A	311100A / 311200A	5.3 kg

1) tolerance +/- 7% due to LEDs accuracy

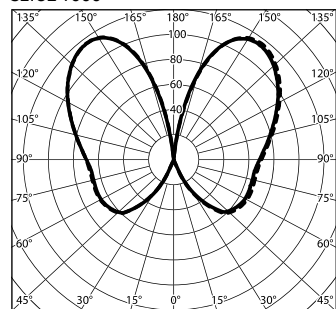


SLICE 1200



cd/klm  
 — C0 - C180    - - - C90 - C270

SLICE 1000



cd/klm  
 — C0 - C180    - - - C90 - C270

Overcurrent switches MCB type B or C

Lighting columns	Typ	2A	4A	6A	10A	16A	20A	25A
SLICE LED	B	1	2	3	5	8	10	12
	C	1	3	5	8	13	16	20

Fuse – type gG and GL

Lighting columns	2A	4A	6A	10A	16A	20A	25A
SLICE LED	0	3	5	7	15	20	29