



TECHNICAL DATA

Application	urban roads, residential roads (internal), surrounding office buildings, parks, pedestrians, parkings
Colour	inox / black
Ingress protection	IP 66 for the optical part and the driver
Optical system	PMMA optics
Material	anodised aluminium alloy
Expected useful lifetime	L90B10 - 100 000 h
CRI	>70
Input voltage frequency	50/60Hz
Power factor	≥0.95
Number of LED	2x12
Control system	LED lighting set has the possibility to connect to an external control system via DALI interface (optionally via analog signal 1-10V).

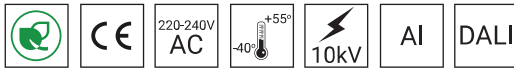


TABLE OF VARIANTS - HEIGHTS

Symbol	Set Height [H]*	Height [x]	Dimension of the base plate ([A]/[B]/[C])	Concrete footing / reinforcement basket type	Concrete footing / reinforcement basket code	Fasteners	Net weight	Approximate unit volume
SNAKE II LED	4,0m - 40	3,0m	320 / 250 / 10	B-60 / Z-60	311160 / 311206	4008	42kg	0,70m ³
SNAKE II LED	4,5m - 45	3,5m	320 / 250 / 10	B-60 / Z-60	311160 / 311206	4008	47kg	0,76m ³
SNAKE II LED	5,0m - 50	3,5m	320 / 250 / 10	B-60 / Z-60	311160 / 311206	4008	52kg	0,81m ³
SNAKE II LED	5,5m - 55	3,5m	320 / 250 / 10	B-60 / Z-60	311160 / 311206	4008	57kg	0,87m ³
SNAKE II LED	6,0m - 60	3,5m	320 / 250 / 10	B-60 / Z-60	311160 / 311206	4008	63kg	0,94m ³
SNAKE II LED	6,5m - 65	4,5m	400 / 300 / 10	B-70, B-71 / Z-70, Z71	311170, 311171 / 311207, 311271	4012	67kg	1,01m ³
SNAKE II LED	7,0m - 70	4,5m	400 / 300 / 10	B-70, B-71 / Z-70, Z71	311170, 311171 / 311207, 311271	4012	72kg	1,06m ³
SNAKE II LED	7,5m - 75	5,5m	400 / 300 / 12	B-70, B-71 / Z-70, Z71	311170, 311171 / 311207, 311271	4012	77kg	1,12m ³
SNAKE II LED	8,0m - 80	5,5m	400 / 300 / 12	B-70, B-71 / Z-70, Z71	311170, 311171 / 311207, 311271	4012	82kg	1,20m ³

*) the distance between the arms cannot be bigger than 2 meters

HOW TO GENERATE VARIANT CODES

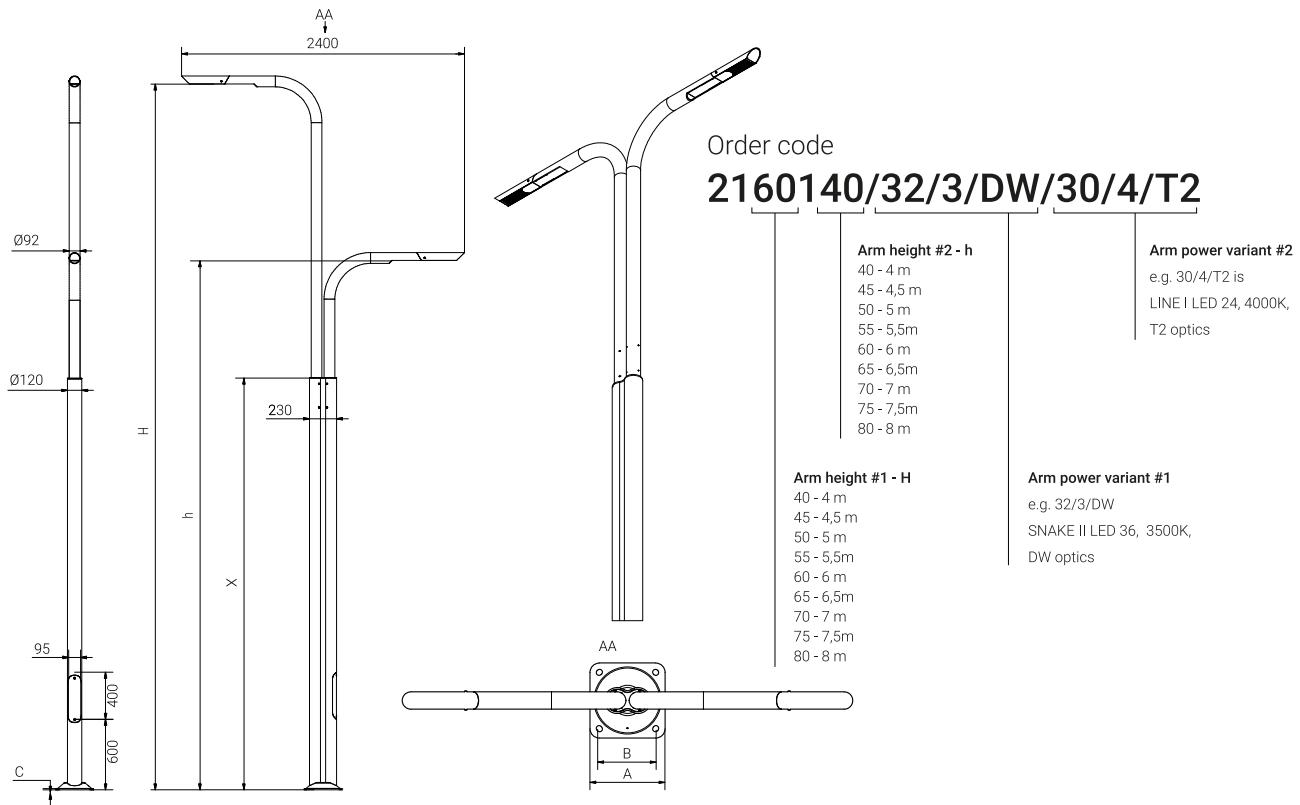


TABLE OF VARIANTS - LIGHTING

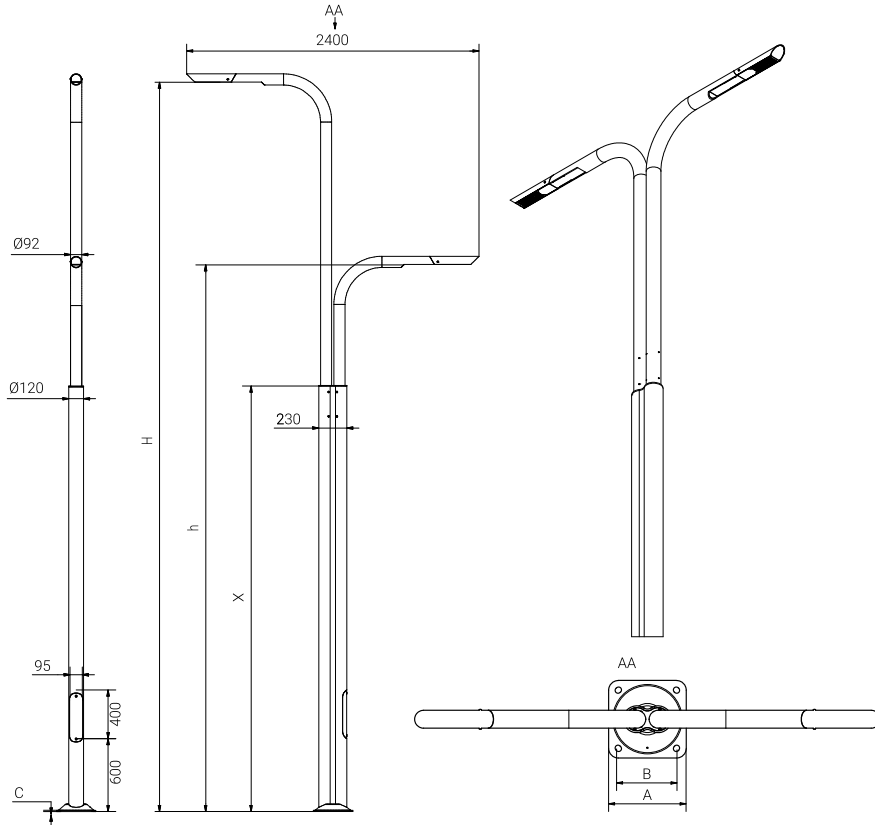
Code	Symbol	LED power	Luminaire Power consumption	LED forward current	Colour temperature (CCT)	LEDs luminous flux ¹	Luminaire luminous flux ¹	Luminous efficacy
27/1/... ²	SNAKE II LED 12	12 W	14 W	350 mA	2 700 K	2 250 lm	2 050 lm	146 lm/W
27/3/... ²	SNAKE II LED 12	12 W	14 W	350 mA	3 500 K	2 400 lm	2 200 lm	157 lm/W
27/4/... ²	SNAKE II LED 12	12 W	14 W	350 mA	4 000 K	2 550 lm	2 350 lm	168 lm/W
27/6/... ²	SNAKE II LED 12	12 W	14 W	350 mA	5 000 K	2 550 lm	2 350 lm	168 lm/W
30/1/... ²	SNAKE II LED 24	24 W	28 W	700 mA	2 700 K	4 150 lm	3 800 lm	136 lm/W
30/3/... ²	SNAKE II LED 24	24 W	28 W	700 mA	3 500 K	4 400 lm	4 050 lm	145 lm/W
30/4/... ²	SNAKE II LED 24	24 W	28 W	700 mA	4 000 K	4 650 lm	4 250 lm	152 lm/W
30/6/... ²	SNAKE II LED 24	24 W	28 W	700 mA	5 000 K	4 650 lm	4 250 lm	152 lm/W
32/1/... ²	SNAKE II LED 36	36 W	40 W	1 000 mA	2 700 K	5 550 lm	5 100 lm	128 lm/W
32/3/... ²	SNAKE II LED 36	36 W	40 W	1 000 mA	3 500 K	5 900 lm	5 400 lm	135 lm/W
32/4/... ²	SNAKE II LED 36	36 W	40 W	1 000 mA	4 000 K	6 250 lm	5 700 lm	143 lm/W
32/6/... ²	SNAKE II LED 36	36 W	40 W	1 000 mA	5 000 K	6 250 lm	5 700 lm	143 lm/W

1) tolerance +/- 5% due to LEDs accuracy

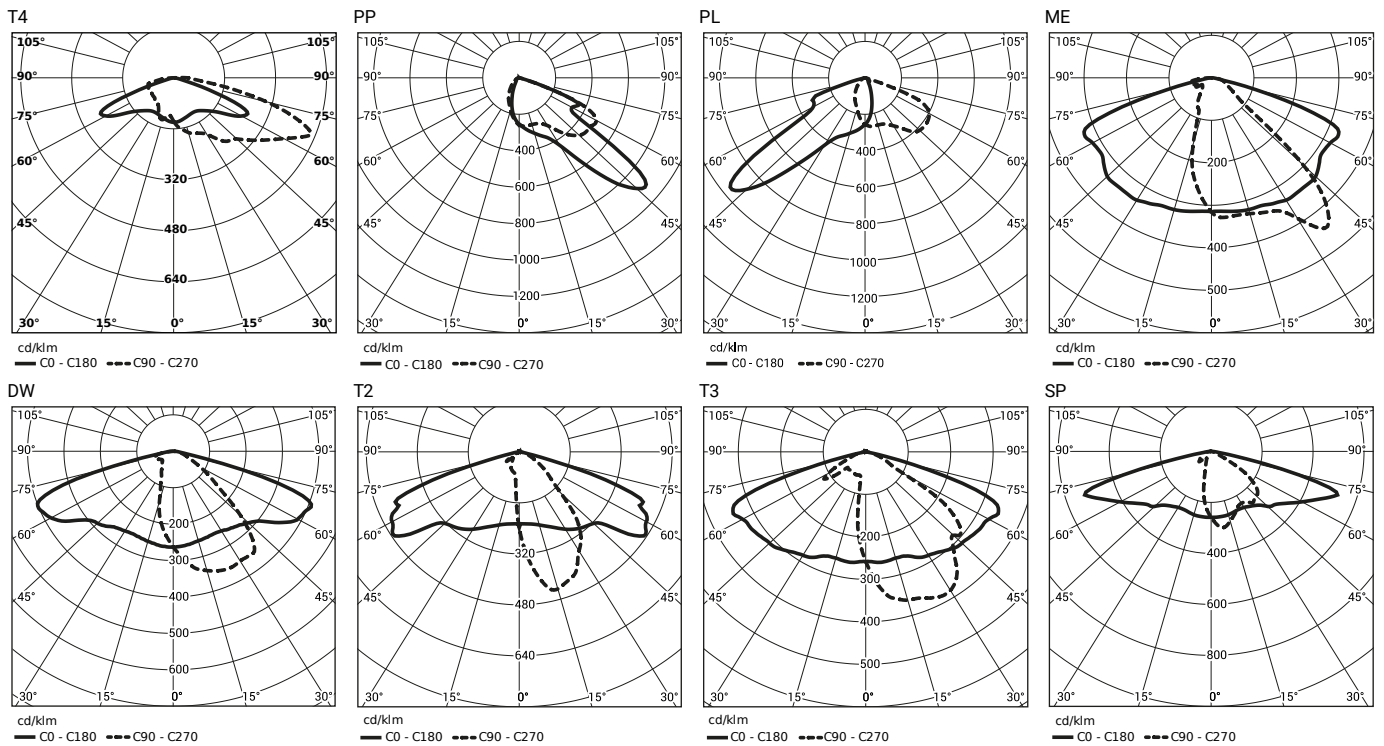
2) symbol of chosen optical system eg. 30/6/T2 is a bracket SNAKE II LED 24 with T2 optical system, 5000K

Directive: 2014/35/UE (Official Journal of the UE L 96/357 29.03.2014), 2014/30/UE (Official Journal of the UE L 96/79 29.03.2014), 2011/65/UE, 2009/125/EC **Finish:** option of elastomer protection in the colour of LED lighting sets up to the height of 350 mm (as standard for Cl63, Cl65, Cl75, Cl78 interference colors)

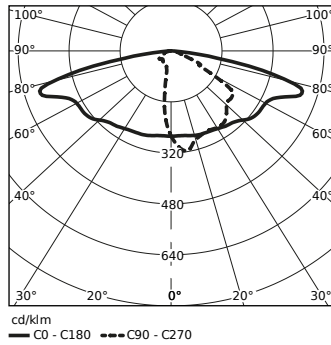
TECHNICAL DRAWING



PHOTOMETRIC CURVES



3L



POWER SYSTEM FUNCTIONS

Luminaire in standard has following functions of intelligent power supply:

- Connection to outside control system by DALI interface (operation of analog signal 1-10V as an option),
- Possibility of programming multistage dimming of luminaire, up to 5 intervals in the range of from 10 to 100% of nominal power,
- Temperature protection of LED module (from overheating) in case of unintentional luminaire operation during the,
- Regulation of power / luminous flux – the option of setting another value than the catalogue in the range of 30-100% of nominal one,

Overcurrent switches MCB type B or C

Lighting sets	Type	2A	4A	6A	10A	16A	20A	25A
SNAKE II LED	B	3	6	10	16	26	32	40
	C	3	10	16	27	44	54	67

Fuse – type gG and GL

Lighting sets	2A	4A	6A	10A	16A	20A	25A
SNAKE II LED	1	10	19	25	50	68	97

ACCEPTABLE HEIGHT

SNAKE II LED	Acceptable height of the LED lighting set			
Field category	I zone Vref. = 22 m/s	I & III zone, up to 450m a.s.l. Vref. = 24 m/s	II zone Vref. = 26 m/s	III zone up to 755m a.s.l. Vref. = 28 m/s
I	8	8	8	8
II	8	8	8	8
III	8	8	8	8
IV	8	8	8	8