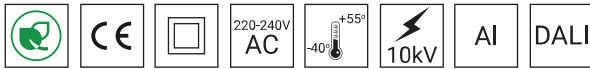




## TECHNICAL DATA

<b>Application</b>	urban roads, residential roads (internal), surrounding office buildings, parks, pedestrians, parkings
<b>Colour</b>	inox / grey
<b>Ingress protection</b>	IP 66 for the optical part and the driver
<b>Optical system</b>	PMMA optics, interchangeable LED module
<b>Material</b>	anodised aluminium alloy
<b>Expected useful lifetime</b>	L90B10 - 100 000 h
<b>CRI</b>	>70
<b>Input voltage frequency</b>	50/60Hz
<b>Power factor</b>	≥0.95
<b>Number of LED</b>	2x12 - (24 W, 36 W); 2x24 - (48 W, 60 W, 72 W)
<b>Control system</b>	LED lighting set has the possibility to connect to an external control system via DALI interface (optionally via analog signal 1-10V).



## TABLE OF VARIANTS - HEIGHTS

Symbol	Height [H]	Dimension of the base plate (A)/[B]/[C]	Concrete footing / reinforcement basket type	Concrete footing / reinforcement basket code	Fasteners	Net weight	Approximate unit volume
BEAM I LED	4,0m - 40	224 / 180 / 8	B-50 / Z-50	311150 / 311205	4006	28,0kg	0,50m <sup>3</sup>
BEAM I LED	5,0m - 50	320 / 250 / 10	B-60 / Z-60	311160 / 311206	4008	35,5kg	0,60m <sup>3</sup>
BEAM I LED	6,0m - 60	320 / 250 / 10	B-60 / Z-60	311160 / 311206	4008	41,0kg	0,80m <sup>3</sup>
BEAM I LED	7,0m - 70	400 / 300 / 10	B-70, B-71 / Z-70, Z-71	311170, 311171 / 311207, 311271	4012	49,0kg	1,10m <sup>3</sup>
BEAM I LED	8,0m - 80	400 / 300 / 12	B-70, B-71 / Z-70, Z-71	311170, 311171 / 311207, 311271	4012	54,5kg	1,30m <sup>3</sup>

## HOW TO GENERATE VARIANT CODES

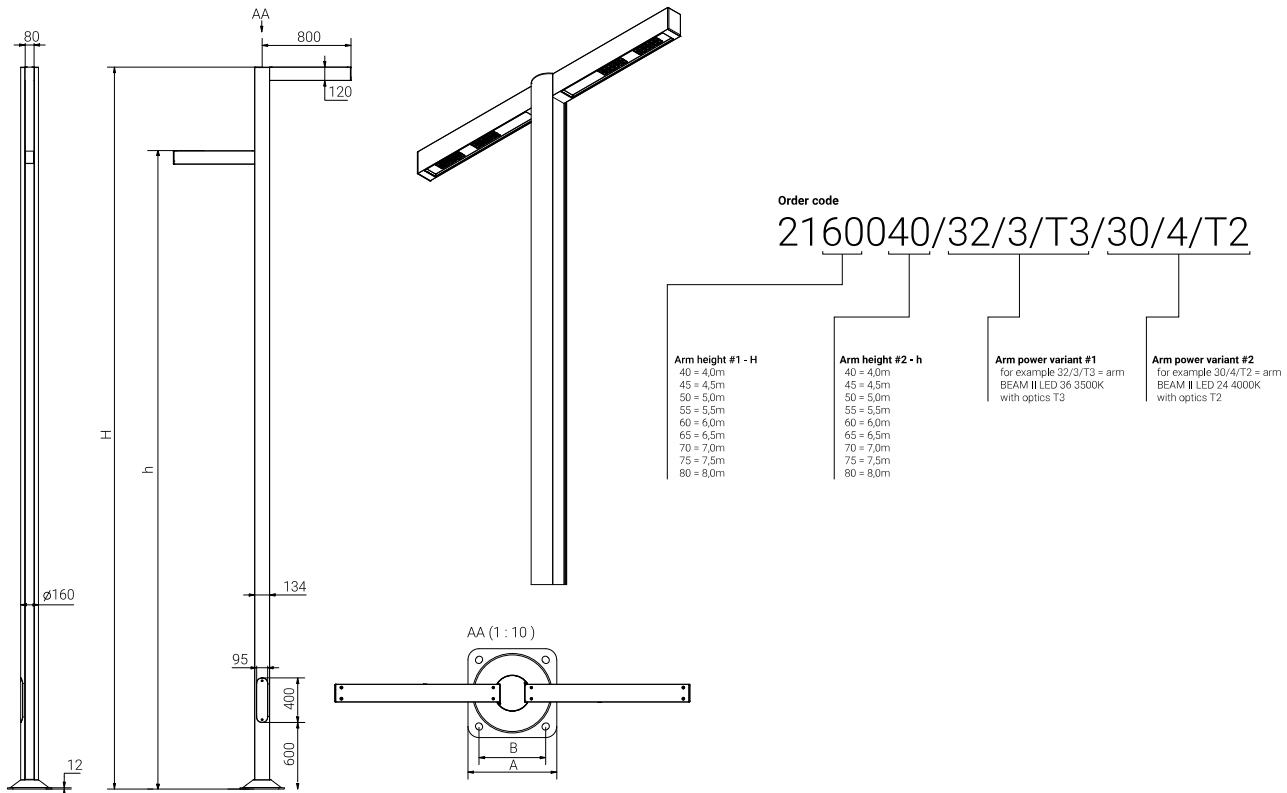


TABLE OF VARIANTS - LIGHTING

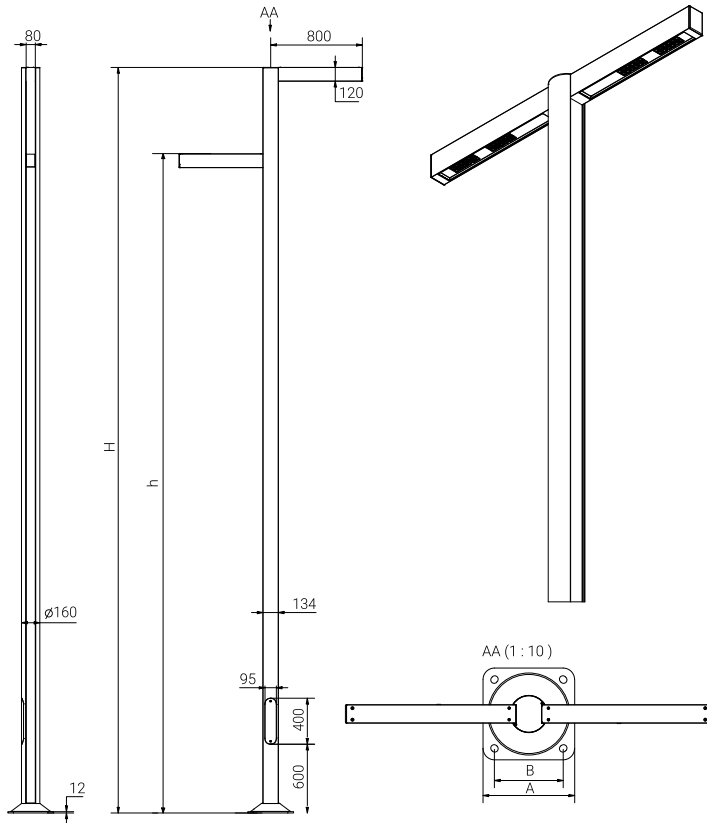
Code	Symbol	LED power	Luminaire Power consumption	LED forward current	Colour temperature (CCT)	LEDs luminous flux <sup>1</sup>	Luminaire luminous flux <sup>1</sup>	Luminous efficacy
30/1/... <sup>2</sup>	BEAM II LED 24	24W	28W	700mA	2700K	4050lm	3250lm	116lm/W
30/3/... <sup>2</sup>	BEAM II LED 24	24W	28W	700mA	3500K	4350lm	3500lm	125lm/W
30/4/... <sup>2</sup>	BEAM II LED 24	24W	28W	700mA	4000K	4550lm	3650lm	130lm/W
30/6/... <sup>2</sup>	BEAM II LED 24	24W	28W	700mA	5000K	4550lm	3650lm	130lm/W
32/1/... <sup>2</sup>	BEAM II LED 36	36W	40W	1000mA	2700K	5450lm	4400lm	110lm/W
32/3/... <sup>2</sup>	BEAM II LED 36	36W	40W	1000mA	3500K	5800lm	4700lm	118lm/W
32/4/... <sup>2</sup>	BEAM II LED 36	36W	40W	1000mA	4000K	6150lm	4950lm	124lm/W
32/6/... <sup>2</sup>	BEAM II LED 36	36W	40W	1000mA	5000K	6150lm	4950lm	124lm/W
33/1/... <sup>2</sup>	BEAM II LED 48	48W	55W	700mA	2700K	8150lm	6600lm	120lm/W
33/3/... <sup>2</sup>	BEAM II LED 48	48W	55W	700mA	3500K	8650lm	7000lm	127lm/W
33/4/... <sup>2</sup>	BEAM II LED 48	48W	55W	700mA	4000K	9150lm	7400lm	135lm/W
33/6/... <sup>2</sup>	BEAM II LED 48	48W	55W	700mA	5000K	9150lm	7400lm	135lm/W
34/1/... <sup>2</sup>	BEAM II LED 60	60W	67W	830mA	2700K	9300lm	7500lm	112lm/W
34/3/... <sup>2</sup>	BEAM II LED 60	60W	67W	830mA	3500K	9850lm	7950lm	119lm/W
34/4/... <sup>2</sup>	BEAM II LED 60	60W	67W	830mA	4000K	10450lm	8450lm	126lm/W
34/6/... <sup>2</sup>	BEAM II LED 60	60W	67W	830mA	5000K	10450lm	8450lm	126lm/W
35/1/... <sup>2</sup>	BEAM II LED 72	72W	79W	1000mA	2700K	10900lm	8800lm	111lm/W
35/3/... <sup>2</sup>	BEAM II LED 72	72W	79W	1000mA	3500K	11600lm	9350lm	118lm/W
35/4/... <sup>2</sup>	BEAM II LED 72	72W	79W	1000mA	4000K	12300lm	9950lm	126lm/W
35/6/... <sup>2</sup>	BEAM II LED 72	72W	79W	1000mA	5000K	12300lm	9950lm	126lm/W

1) tolerance +/- 5% due to LEDs accuracy

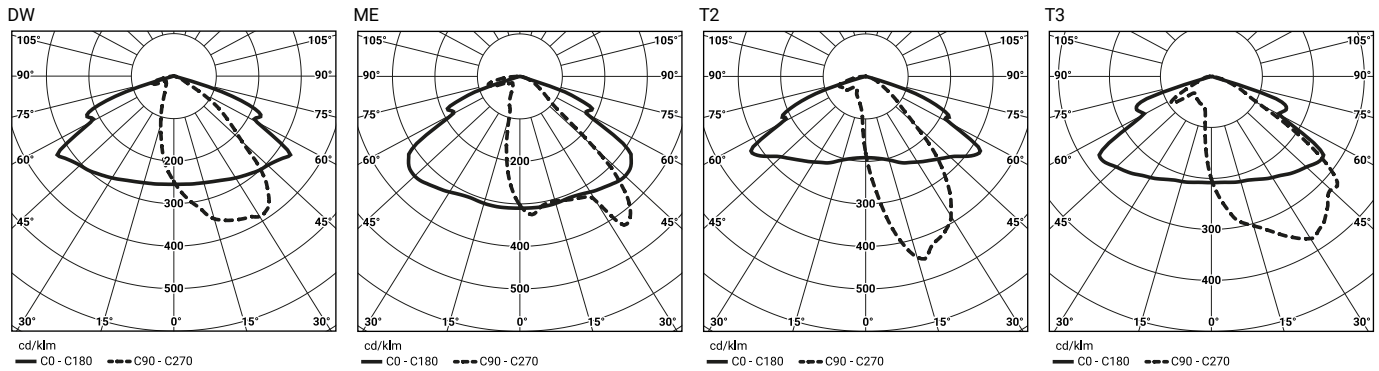
2) symbol of chosen optical system eg. 30/6/T2 is a bracket BEAM II LED 24 with T2 optical system, 5000K

**Directive:** 2014/35/UE (Official Journal of the UE L 96/357 29.03.2014), 2014/30/UE (Official Journal of the UE L 96/79 29.03.2014), 2011/65/UE, 2009/125/EC **Finish:** option of elastomer protection in the colour of LED lighting sets up to the height of 350 mm (as standard for CI63, CI65, CI75, CI78 interference colors)

## TECHNICAL DRAWING



## PHOTOMETRIC CURVES



## POWER SYSTEM FUNCTIONS

Luminaire in standard has following functions of intelligent power supply:

- Connection to outside control system by DALI interface (operation of analog signal 1-10V as an option),
- Possibility of programming multistage dimming of luminaire, up to 5 intervals in the range of from 10 to 100% of nominal power,
- Temperature protection of LED module (from overheating) in case of unintentional luminaire operation during the,
- Regulation of power / luminous flux – the option of setting another value than the catalogue in the range of 30-100% of nominal one,

Overcurrent switches MCB type B or C

Lighting sets	Type	2A	4A	6A	10A	16A	20A	25A
BEAM II LED 24W, 36W	B	3	6	10	16	26	32	40
	C	3	10	16	27	44	54	67
BEAM II LED 48W, 60W, 72W	B	1	2	4	6	11	13	17
	C	1	4	6	11	18	22	28

Fuse – type gG and GL

Lighting sets	2A	4A	6A	10A	16A	20A	25A
BEAM II LED 24W, 36W	1	10	19	25	50	68	97
BEAM II LED 48W, 60W, 72W	0	4	8	11	21	29	42

ACCEPTABLE HEIGHT

Updated at: 09-08-2024

# BEAM II LED



BEAM II LED	Acceptable height of the LED lighting set			
	I zone Vref. = 22 m/s	I & III zone, up to 450m a.s.l. Vref. = 24 m/s	II zone Vref. = 26 m/s	III zone up to 755m a.s.l. Vref. = 28 m/s
I	7	6,5	6	6
II	7,5	6,5	6	6
III	8	7	6,5	6,5
IV	8	8	7,5	7