



TECHNICAL DATA

Application	parks, pedestrians, bicycle routes
Assembly	pole top mounted or on extension arms with \varnothing 60 x 50 mm ending
Ingress protection	IP 65
Material	base – high-pressure die-casted aluminium alloy cap – formed aluminium sheet diffuser – frosted cylindrical \varnothing 200 mm (PMMA)
Operating temperature range	from -40°C to +40°C
Expected useful lifetime	L90B10 - 100 000 h
CRI	>70
Input voltage frequency	50/60Hz
Power factor	\geq 0.95
Number of LED	1
Control system	Luminaire can be connected to an external control system and / or sensors via socket compatible with Zhaga Book 18

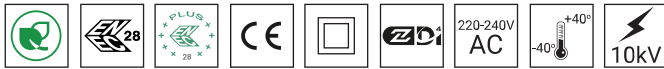


TABLE OF TYPES

Code	Symbol	LED power	Luminaire power consumption	LED forward current	Colour temperature (CCT)	LEDs luminous flux ¹	Luminaire luminous flux ¹	Luminous efficacy ¹	Unit volume	Net weight
2130550/1	ELBA LED D4i black	33 W	36 W	940 mA	2700 K	5300 lm	3650 lm	101 lm/W	0.06 m ³	5 kg
21310550/1/C45	ELBA LED D4i inox	33 W	36 W	940 mA	2700 K	5300 lm	3450 lm	96 lm/W	0.06 m ³	5 kg
2130550/3	ELBA LED D4i black	33 W	36 W	940 mA	3500 K	5750 lm	3950 lm	110 lm/W	0.06 m ³	5 kg
21310550/3/C45	ELBA LED D4i inox	33 W	36 W	940 mA	3500 K	5750 lm	3750 lm	104 lm/W	0.06 m ³	5 kg
2130550/4	ELBA LED D4i black	33 W	36 W	940 mA	4000 K	5850 lm	4000 lm	111 lm/W	0.06 m ³	5 kg
21310550/4/C45	ELBA LED D4i inox	33 W	36 W	940 mA	4000 K	5850 lm	3800 lm	106 lm/W	0.06 m ³	5 kg

1) tolerance +/- 5% due to LEDs accuracy

DIRECTIVES AND STANDARDS

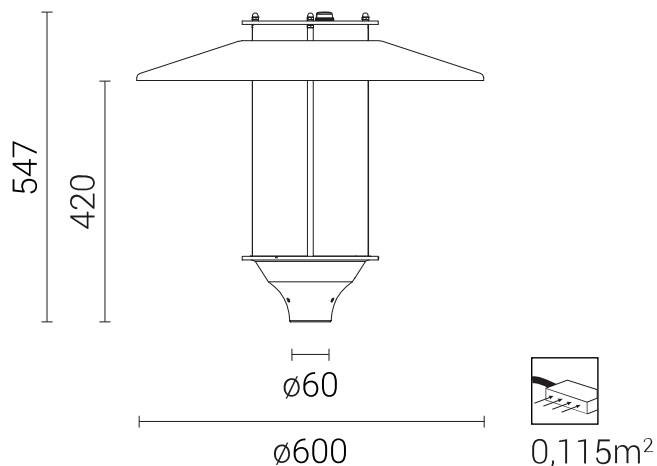
DIRECTIVES: 2014/35/UE (Official Journal of the UE L 96/357 29.03.2014), 2014/30/UE (Official Journal of the UE L 96/79 29.03.2014), 2011/65/UE, 2009/125/EC
STANDARDS: PN-EN IEC 60598-1: 2021-7, PN-EN 60598-2-3: 2006, PN-EN 60529: 2003, PN-EN 62262: 2003, PN-EN 62471:2010, PN-EN 55015: 2013, PN-EN 61547: 2009, PN-EN 61000-3-2: 2014, PN-EN 61000-3-3: 2013, PN-EN 62722-2-1 (tq=25°C)

CHARGING DISCHARGE FROM THE LED LUMINAIRE HOUSING

In order to efficient discharge the electrostatic charge from the housing of LED fitting installed on the pole from dielectric material (non-conductive) one of the following solutions is required:

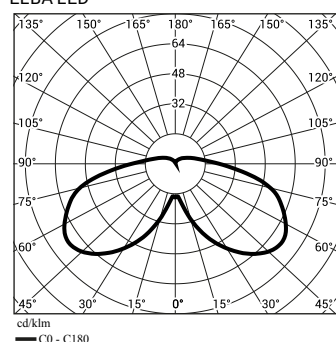
- functional grounding
- LED luminaire with an additional protection device

TECHNICAL DRAWING



PHOTOMETRIC CURVES

ELBA LED



POWER SYSTEM FUNCTIONS

Luminaire in standard has following functions of intelligent power supply:

- Possibility of programming multistage dimming of luminaire, up to 5 intervals in the range of from 10 to 100% of nominal power,
- Temperature protection of LED module (from overheating) in case of unintentional luminaire operation during the,
- Regulation of power / luminous flux – the option of setting another value than the catalogue in the range of 30-100% of nominal one,

ACCETABLE QUANTITY OF LUMINAIRES ON ONE CIRCUIT

Overcurrent switches MCB type B or C

Luminaire	Type	2A	4A	6A	10A	16A	20A	25A
ELBA LED D4i	B	4	7	12	18	30	37	46
	C	4	12	18	31	51	62	78

Fuse – type gG and GL

Luminaire	2A	4A	6A	10A	16A	20A	25A
ELBA LED D4i	1	10	20	26	52	71	101

CHROMATICITY

Chromaticity	x	y
2700K	0.4338	0.4101
3500K	0.4073	0.3917
4000K	0.3818	0.3797

PHOTOMETRIC CODE

2700K	827/559
3500K	835/559
4000K	840/559