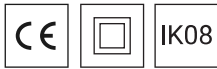




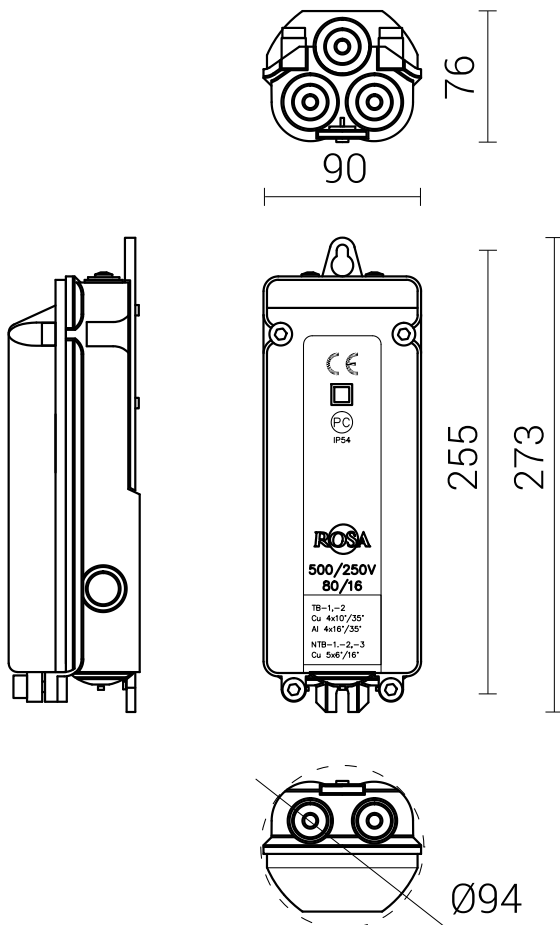
## TECHNICAL DATA

<b>Assembly</b>	installed on the aluminium rail on the back wall of the column using two M6 bolts
<b>Ingress protection</b>	IP 54
<b>Material</b>	integrated terminal strip – made of PTB material (butylene polyterephthalate), with high insulation parameters and high mechanical resistance; connection cover and clamp/cable protection – made of transparent polycarbonate; connection box base – made of polycarbonate reinforced by fibre glass, cable opening/outlets are protected with gaskets
<b>Number of fuse-sockets</b>	Two fuse-socket mounted on two phases L1 and L3
<b>Description</b>	connection box with four-wire for feeder cables with cross-section from 4 x 10 mm <sup>2</sup> up 4 x 35 mm <sup>2</sup> max. 3 cables the possibility of moving the fuse-sockets



Code	Symbol	Unit volume	Fuse sockets quantity	Protection class	Rated insulation voltage	Withstand stroke voltage rating	Rated current	Net weight
324020	TB-2	0.002 m <sup>3</sup>	2	II	500V	6 kV	80A	0.74 kg

: 2014/35/UE (Dz. Urz.UE L 96, 29.03.2014, str.357), 2011/65/UE (Dz. Urz.UE L 174, 01.07.2011, str.88)  
: PN-EN 60529: 2003, PN-EN 50102: 2001, PN-EN 61439-1: 2011, PN-EN 61439-2: 2011



Fuse-link D01

<b>Fuse-link typej</b>	<b>Code</b>	<b>Weight</b>
<b>D01/E14 6A</b>	322006	0,01kg
<b>D01/E14 10A</b>	322010	0.01kg
<b>D01/E14 16A</b>	322016	0.01kg