



## TECHNICAL DATA

<b>Application</b>	parks, pedestrians
<b>Assembly</b>	-
<b>Colour</b>	black
<b>Ingress protection</b>	IP 54
<b>Material</b>	body – fiber glass reinforced PP, UV proof Lamp diffuser– poly(methyl methacrylate) PMMA for transparent and frost, or polycarbonate PC for transparent
<b>Input voltage frequency</b>	50 Hz
<b>Supply voltage</b>	230V AC
<b>Electrical gear cover</b>	mounted on gear frame, magnetic ballast with thermal protection, metal halide lamps MH 70W (EL) optionally available with electronic ballast
<b>Mounting method</b>	upwards or downwards

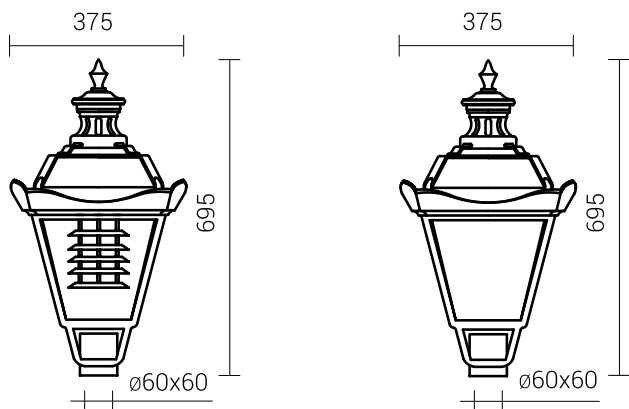


## TABLE OF TYPES

Code	Symbol	Diffuser	Power	Luminaire power consumption	Unit volume	Effective projected area	Colour	Light source type	Exemplary lamp types	Net weight
211202	OS-1 S-70W	transparent PMMA	70 W	92 W	0.01 m <sup>3</sup>	0.21 m <sup>2</sup>	• black	sodium E-27	Philips: SON 70W-E, CDO-ET (-TT) 70W Osram: NAV-E 70W	5.2 kg
211302	OS-1 S-70W	transparent PC	70 W	92 W	0.01 m <sup>3</sup>	0.21 m <sup>2</sup>	• black	sodium E-27	Philips: SON 70W-E, CDO-ET (-TT) 70W Osram: NAV-E 70W	5.2 kg
2110002	OS-1 S-70W	frosted (PMMA)	70 W	92 W	0.01 m <sup>3</sup>	0.21 m <sup>2</sup>	• black	sodium E-27	Philips: SON 70W-E, CDO-ET (-TT) 70W Osram: NAV-E 70W	5.2 kg
211207	OS-1 MH-70W	transparent PMMA	70 W	92 W	0.01 m <sup>3</sup>	0.21 m <sup>2</sup>	• black	metal halide E-27	Osram: HQI-E 70W	5.2 kg
211307	OS-1 MH-70W	transparent PC	70 W	92 W	0.01 m <sup>3</sup>	0.21 m <sup>2</sup>	• black	metal halide E-27	Osram: HQI-E 70W	5.2 kg
2110007	OS-1 MH-70W	frosted (PMMA)	70 W	92 W	0.01 m <sup>3</sup>	0.21 m <sup>2</sup>	• black	metal halide E-27	Osram: HQI-E 70W	5.2 kg
211215	OS-1 E/Z	transparent PMMA	23 W	23 W	0.01 m <sup>3</sup>	0.21 m <sup>2</sup>	• black	LED E-27	Philips: 23W Osram: 23W	3.9 kg
211315	OS-1 E/Z	transparent PC	23 W	23 W	0.01 m <sup>3</sup>	0.21 m <sup>2</sup>	• black	LED E-27	Philips: 23W Osram: 23W	3.9 kg
2110015	OS-1 E/Z	frosted (PMMA)	23 W	23 W	0.01 m <sup>3</sup>	0.21 m <sup>2</sup>	• black	LED E-27	Philips: 23W Osram: 23W	3.9 kg

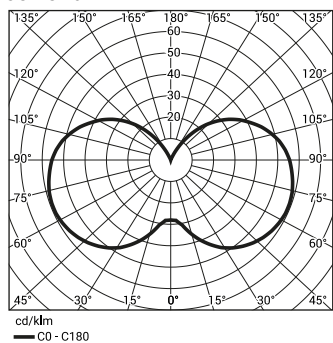
**DIRECTIVES:** 2014/35/UE (Official Journal of the UE L 96/357 29.03.2014), 2014/30/UE (Official Journal of the UE L 96/79 29.03.2014), 2011/65/UE, 2009/125/EC  
**STANDARDS:** PN-EN 60598-1: 2015, PN-EN 60529: 2003, PN-EN 62262: 2003,, PN-EN 55015: 2013, PN-EN 61547: 2009, PN-EN 61000-3-2: 2014, PN-EN 61000-3-3: 2013,

## TECHNICAL DRAWING



## PHOTOMETRIC CURVES

OS-1 S-70 W



OS-1 MH-70 W

