



## TECHNICAL DATA

<b>Assembly</b>	installed on the aluminium rail on the back wall of the column using two M6 bolts
<b>Ingress protection</b>	IP 54
<b>Material</b>	integrated terminal strip – made of PTB material (butylene polyterephthalate), with high insulation parameters and high mechanical resistance; connection cover and clamp/cable protection – made of transparent polycarbonate; connection box base – made of polycarbonate reinforced by fibre glass, cable opening/outlets are protected with gaskets
<b>Number of fuse-sockets</b>	One fuse-socket mounted on L1 phase, there is a possibility of moving the fuse-socket on phase L3 by screwing-out two bolts
<b>Description</b>	<p>Connection box with four-wire for feeder cables with cross-section:</p> <p>4 x 10 mm<sup>2</sup> to 4 x 35 mm<sup>2</sup> for Cu 4 x 16 mm<sup>2</sup> to 4 x 35 mm<sup>2</sup> for Al</p> <p>Cross-section of output cables (for powering the luminaire)</p> <ul style="list-style-type: none"> <li>- one cable max. 3 x 2.5 mm<sup>2</sup></li> <li>- max. 3 cables</li> <li>- the possibility of moving the fuse-sockets</li> </ul>

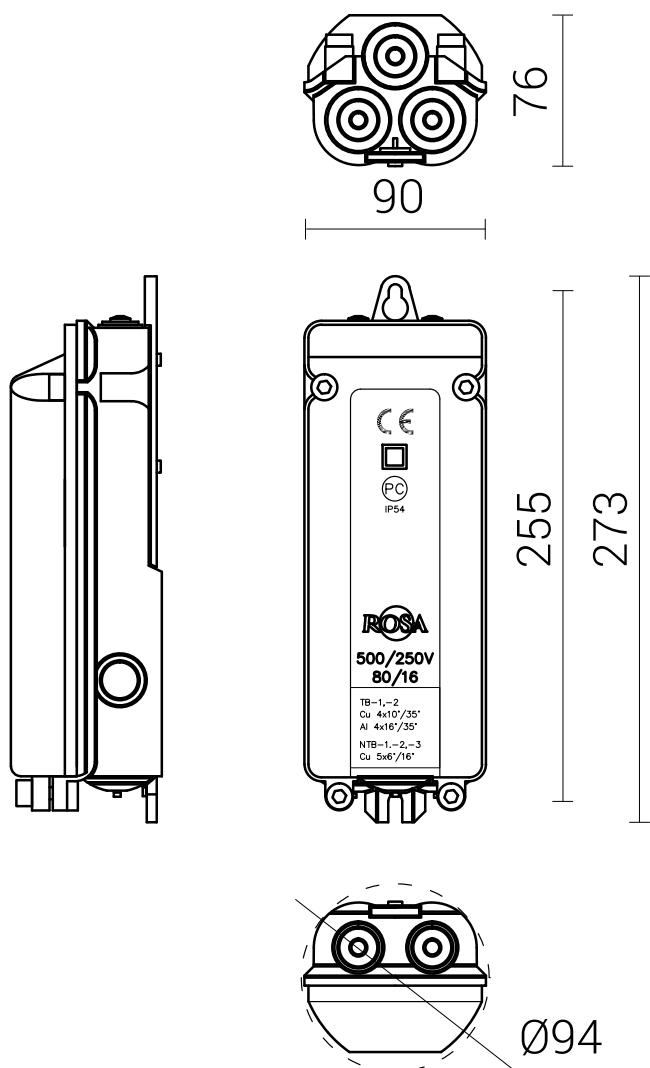


## TABLE OF TYPES

Code	Symbol	Unit volume	Fuse sockets quantity	Protection class	Rated insulation voltage	Withstand stroke voltage rating	Rated current	Net weight
324010	TB-1	0.002 m <sup>3</sup>	1	II	500 V	6 kV	80 A	0.71 kg

**DIRECTIVES:** 2014/35/UE (Dz. Urz.UE L 96, 29.03.2014, str.357), 2011/65/UE (Dz. Urz.UE L 174, 01.07.2011, str.88)

**STANDARDS:** PN-EN 60529: 2003, PN-EN 50102: 2001, PN-EN 61439-1: 2011, PN-EN 61439-2: 2011



Fuse-link D01

Fuse-link typej	Code	Weight
D01/E14 6A	322006	0,01kg
D01/E14 10A	322010	0.01kg
D01/E14 16A	322016	0.01kg