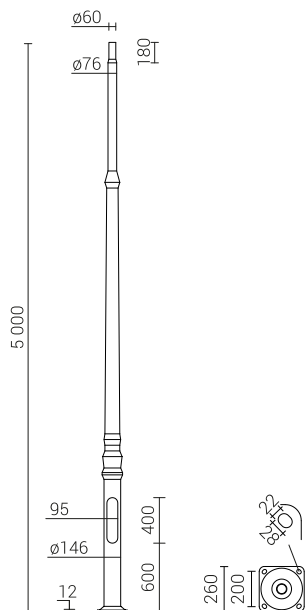


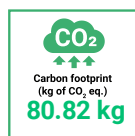
# Aluminium column SAL DP-507G

146 mm at the base plate



## TECHNICAL DATA

<b>Anodising</b>	10 colours
<b>Luminaire mounting</b>	directly on the column, luminaires with mounting $\varnothing 60$ mm with weight and surface parameters not exceeding the data from the strength table included in the technical data sheet
<b>Extension arm type</b>	according to resistance calculations
<b>Packing</b>	sleeve material
<b>Performance under vehicle impact (passive safety)</b>	50-NE-B-S-SE-MD-0, 70-NE-B-S-SE-MD-0, 100-NE-B-S-SE-MD-0
<b>Diameter at the base plate</b>	146 mm
<b>Finish</b>	brushed anodised aluminium, option of elastomer protection in column's colour up to a height of 350 mm (other height on customer's request)
<b>Ending</b>	-
<b>Diameter of the column ending</b>	$\varnothing 60$ x 180 mm adapted to the installation of ROSA extension arms (with the effect of a facing head) and ROSA luminaires (according to the assembly parameter included in the luminaire technical data sheet)



## TABLE OF TYPES

Code	Symbol	Height of the column [H]	Wall thickness	Unit volume	Concrete footing / reinforcement basket type	Concrete footing / reinforcement basket code	Fasteners	Net weight
42971/C...	SAL DP-507G	5 m	4.2 mm	0.164 m <sup>3</sup>	B-51 / Z-51	311151 / 311251	4008	24.6 kg

## STRENGTH TABLE

SAL DP-507G		Acceptable windage of single luminaire [m <sup>2</sup> ] for Cx=1			
code 42971		Vref. = 22 m/s	Vref. = 24 m/s	Vref. = 26 m/s	Vref. = 28 m/s
Extension arm type	Permissible weight of a single luminaire	I zone, II Field category up to	I & III zone, II Field category up to 450m by s.I	II zone, II Field category up to	III zone, II Field category up to 755m by s.I
-	30	1.04	0.86	0.71	0.61
WA-17/1	10	0.53	0.41	0.30	0.24
WA-20/1	10	0.58	0.46	0.35	0.29
WA-20/2	8	0.23	0.16	0.09	0.05
WA-31 f42	10	0.53	0.41	0.31	0.25
WR-7/1/0,5	15	0.92	0.76	0.62	0.54
WR-7/2/0,5	15	0.43	0.35	0.27	0.23
WR-23/1/0,76 f42	15	0.68	0.55	0.43	0.36
WR-73/1/0,5	15	0.87	0.71	0.58	0.50

