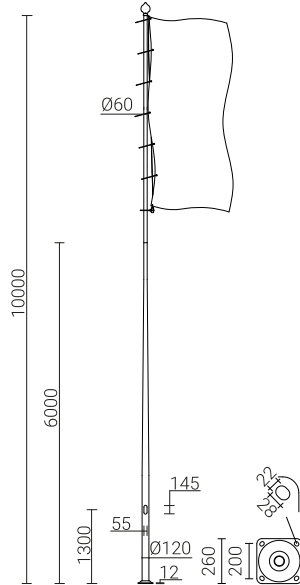


Aluminium column SAL MF 10-120

120 mm at the base plate



TECHNICAL DATA

Anodising	10 colours
Packing	sleeve material
Diameter at the base plate	120 mm
Finish	brushed anodised aluminium, option of elastomer protection in column's colour up to a height of 350 mm (other height on customer's request)
Purpose	masts are designed for hanging flags of surface area up to 6 m ² according to the technical data sheet
Cord	braided spiral, durable, diameter 4 mm, colour: white
Weight	metal, coated with grey coloured plastic
Plastic mounting band	8 pcs as standard (6 pcs + 1 pc on weight + 1 pc on cross-bar)
Wiring chamber	equipped in cord's lock.
Additional accessories	cross-bar for flag - lengths: 1 m, 1,5 m, 2 m; ending: silver ball end

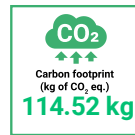


TABLE OF TYPES

Code	Symbol	Height of the column [H]	Unit volume	Concrete footing / reinforcement basket type	Concrete footing / reinforcement basket code	Fasteners	Net weight
42957/C...	SAL MF 10-120	10 m	0.189 m ³	B-51 / Z-51	311151 / 311251	4008	31.2 kg

STRENGTH TABLE

SAL MF 10-120	location category			
code 42957	Vref. = 22 m/s	Vref. = 24 m/s	Vref. = 26 m/s	Vref. = 28 m/s
Surface flag	I zone	I and III zone to 450m AMSL	II zone	III zone to 755m AMSL
≤ 3 m ²	2	3	4	x
≤ 6 m ²	3	4	x	x

ADDITIONAL EQUIPMENT

Name of product	Cross-bar 1,0 m	Cross-bar 1,5 m	Cross-bar 2,0 m
Product code	4000	4003	4011
Outreach of cross-bar [m]	1,0	1,5	2,0
Net weight [kg]	1,8	2,0	2,2
Approximate volume [m ³]	0,01	0,01	0,01