



TECHNICAL DATA

Application	parks, pedestrians
Assembly	on columns, extension arms, aluminium and steel wall brackets, arm systems with spigot ending \varnothing 60 x 60 mm deep and on plastic poles type S and SP with spigot ending type „B”
Colour	black
Ingress protection	IP 66 for the optical part and IP 54 for the driver
Optical system	PMMA optics, interchangeable LED module
Material	body – UV resistant polypropylene with glass fiber, diffuser – frosted PMMA or transparent PMMA
Operating temperature range	from -40°C to +40°C
Expected useful lifetime	L90B10 - 100 000 h
CRI	>70
Input voltage frequency	50/60Hz
Power factor	\geq 0.95
Number of LED	16
Control system	Luminaire can be connected to an external control system and / or sensors via socket compatible with Zhaga Book 18



TABLE OF TYPES

Code	Symbol	Diffuser	LED power	Luminaire power consumption	LED forward current	Colour temperature (CCT)	LEDs luminous flux ¹	Luminaire luminous flux ¹	Luminous efficacy ¹	Unit volume	Net weight
21100550/1	OS-11 LED D4i	frosted	38 W	42 W	800 mA	2700 K	5850 lm	4600 lm	110 lm/W	0.1 m ³	4.6 kg
21100550/3	OS-11 LED D4i	frosted	38 W	42 W	800 mA	3500 K	6200 lm	4850 lm	115 lm/W	0.1 m ³	4.6 kg
21100550/4	OS-11 LED D4i	frosted	38 W	42 W	800 mA	4000 K	6700 lm	5250 lm	125 lm/W	0.1 m ³	4.6 kg
21100550/6	OS-11 LED D4i	frosted	38 W	42 W	800 mA	5000 K	6700 lm	5250 lm	125 lm/W	0.1 m ³	4.6 kg
21120550/1	OS-11 LED D4i	transparent	38 W	42 W	800 mA	2700 K	5850 lm	4800 lm	114 lm/W	0.1 m ³	4.8 kg
21120550/3	OS-11 LED D4i	transparent	38 W	42 W	800 mA	3500 K	6200 lm	5050 lm	120 lm/W	0.1 m ³	4.8 kg
21120550/4	OS-11 LED D4i	transparent	38 W	42 W	800 mA	4000 K	6700 lm	5450 lm	130 lm/W	0.1 m ³	4.8 kg
21120550/6	OS-11 LED D4i	transparent	38 W	42 W	800 mA	5000 K	6700 lm	5450 lm	130 lm/W	0.1 m ³	4.8 kg
21100550/1/A	OS-11 LED D4i	frosted	38 W	42 W	800 mA	2700 K	5850 lm	4400 lm	105 lm/W	0.1 m ³	4.6 kg
21100550/3/A	OS-11 LED D4i	frosted	38 W	42 W	800 mA	3500 K	6200 lm	4650 lm	111 lm/W	0.1 m ³	4.6 kg
21100550/4/A	OS-11 LED D4i	frosted	38 W	42 W	800 mA	4000 K	6700 lm	5050 lm	120 lm/W	0.1 m ³	4.6 kg
21100550/6/A	OS-11 LED D4i	frosted	38 W	42 W	800 mA	5000 K	6700 lm	5050 lm	120 lm/W	0.1 m ³	4.6 kg
21120550/1/A	OS-11 LED D4i	transparent	38 W	42 W	800 mA	2700 K	5850 lm	4600 lm	110 lm/W	0.1 m ³	4.8 kg
21120550/3/A	OS-11 LED D4i	transparent	38 W	42 W	800 mA	3500 K	6200 lm	4850 lm	115 lm/W	0.1 m ³	4.8 kg
21120550/4/A	OS-11 LED D4i	transparent	38 W	42 W	800 mA	4000 K	6700 lm	5250 lm	125 lm/W	0.1 m ³	4.8 kg
21120550/6/A	OS-11 LED D4i	transparent	38 W	42 W	800 mA	5000 K	6700 lm	5250 lm	125 lm/W	0.1 m ³	4.8 kg

1) tolerance +/- 5% due to LEDs accuracy

DIRECTIVES AND STANDARDS

DIRECTIVES: 2014/35/UE (Official Journal of the UE L 96/357 29.03.2014), 2014/30/UE (Official Journal of the UE L 96/79 29.03.2014), 2011/65/UE, 2009/125/EC

STANDARDS: PN-EN IEC 60598-1: 2021-7, PN-EN 60598-2-3: 2006, PN-EN 60529: 2003, PN-EN 62262: 2003, PN-EN 62471:2010, PN-EN 55015: 2013, PN-EN 61547: 2009, PN-EN 61000-3-2: 2014, PN-EN 61000-3-3: 2013, PN-EN 62722-2-1 (tq=25°C)

CHARGING DISCHARGE FROM THE LED LUMINAIRE HOUSING

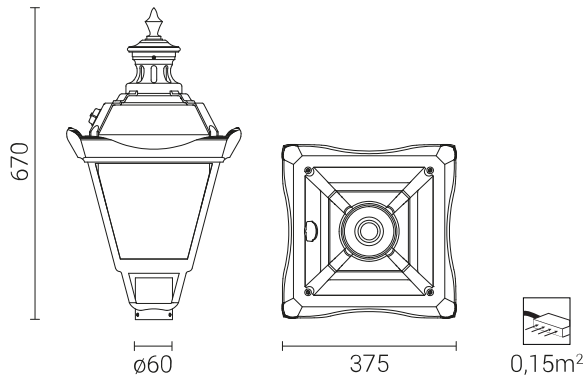
In order to efficient discharge the electrostatic charge from the housing of LED fitting installed on the pole from dielectric material (non-conductive) one of the following solutions is required:

- functional grounding
- LED luminaire with an additional protection device

OS-11 LED D4I

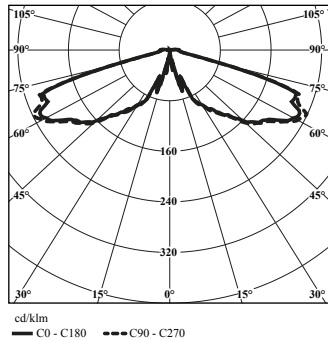


TECHNICAL DRAWING

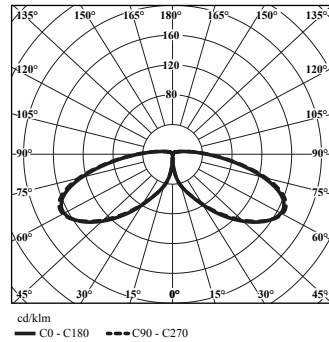


PHOTOMETRIC CURVES

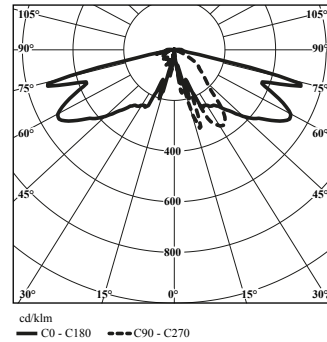
TRANSPARENT SHADE



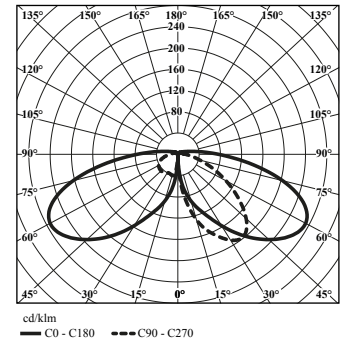
FROSTED SHADE



A - TRANSPARENT SHADE



A - FROSTED SHADE



POWER SYSTEM FUNCTIONS

Luminaire in standard has following functions of intelligent power supply:

- Possibility of programming multistage dimming of luminaire, up to 5 intervals in the range of from 10 to 100% of nominal power,
- Temperature protection of LED module (from overheating) in case of unintentional luminaire operation during the,
- Regulation of power / luminous flux – the option of setting another value than the catalogue in the range of 30-100% of nominal one,

ACCEPTABLE QUANTITY OF LUMINAIRES ON ONE CIRCUIT

Overcurrent switches MCB type B or C

Luminaire	Typ	2A	4A	6A	10A	16A	20A	25A
OS-11 LED D4i	B	2	5	8	13	21	26	32
	C	2	8	13	21	35	43	54

Fuse – type gG and GL

Luminaire	2A	4A	6A	10A	16A	20A	25A
OS 11 LED D4i	1	8	16	22	43	59	84

CHROMATICITY

Chromaticity	x	y
2700K	0,4582	0,4099
3500K	0,4080	0,3916
4000K	0,3825	0,3798
5000K	0,3451	0,3554

PHOTOMETRIC CODE

2700K	727/559
3500K	735/559
4000K	740/559
5000K	750/559