



TECHNICAL DATA

Application	urban roads, residential roads (internal), surrounding office buildings, parks, pedestrians, parkings
Colour	inox / grey
Ingress protection	IP 66 for the optical part and the driver
Optical system	PMMA optics, interchangeable LED module
Material	anodised aluminium alloy
Expected useful lifetime	L90B10 - 100 000 h
CRI	>70
Input voltage frequency	50/60Hz
Power factor	≥0.95
Number of LED	12 - (24 W, 36 W); 24 - (48 W, 60 W, 72 W)
Control system	LED lighting set has the possibility to connect to an external control system via DALI interface (optionally via analog signal 1-10V).

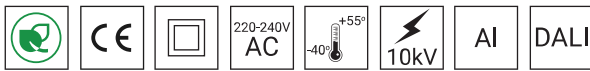
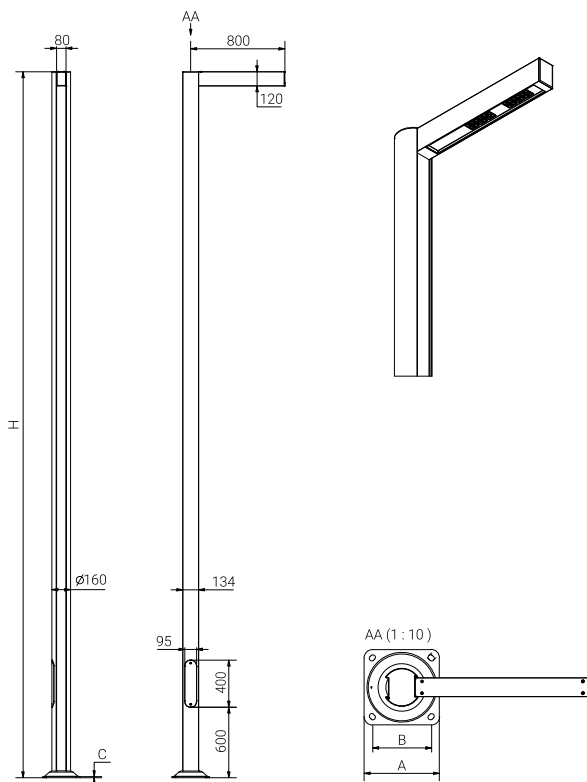


TABLE OF VARIANTS - HEIGHTS

Symbol	Height [H]	Dimension of the base plate (A)/[B]/[C]	Concrete footing / reinforcement basket type	Concrete footing / reinforcement basket code	Fasteners	Net weight	Approximate unit volume
BEAM I LED	4,0m - 40	224 / 180 / 8	B-50 / Z-50	311150 / 311205	4006	28,0kg	0,50m ³
BEAM I LED	5,0m - 50	320 / 250 / 10	B-60 / Z-60	311160 / 311206	4008	35,5kg	0,60m ³
BEAM I LED	6,0m - 60	320 / 250 / 10	B-60 / Z-60	311160 / 311206	4008	41,0kg	0,80m ³
BEAM I LED	7,0m - 70	400 / 300 / 10	B-70, B-71 / Z-70, Z-71	311170, 311171 / 311207, 311271	4012	49,0kg	1,10m ³
BEAM I LED	8,0m - 80	400 / 300 / 12	B-70, B-71 / Z-70, Z-71	311170, 311171 / 311207, 311271	4012	54,5kg	1,30m ³

HOW TO GENERATE VARIANT CODES



Order code

2160000/32/3/T3

Arm height #1 - H

40 = 4,0m
45 = 4,5m
50 = 5,0m
55 = 5,5m
60 = 6,0m
65 = 6,5m
70 = 7,0m
75 = 7,5m
80 = 8,0m

Arm power variant #1

for example 32/3/T3 = arm
BEAM I LED 36 3500K
with optics T3

TABLE OF VARIANTS - LIGHTING

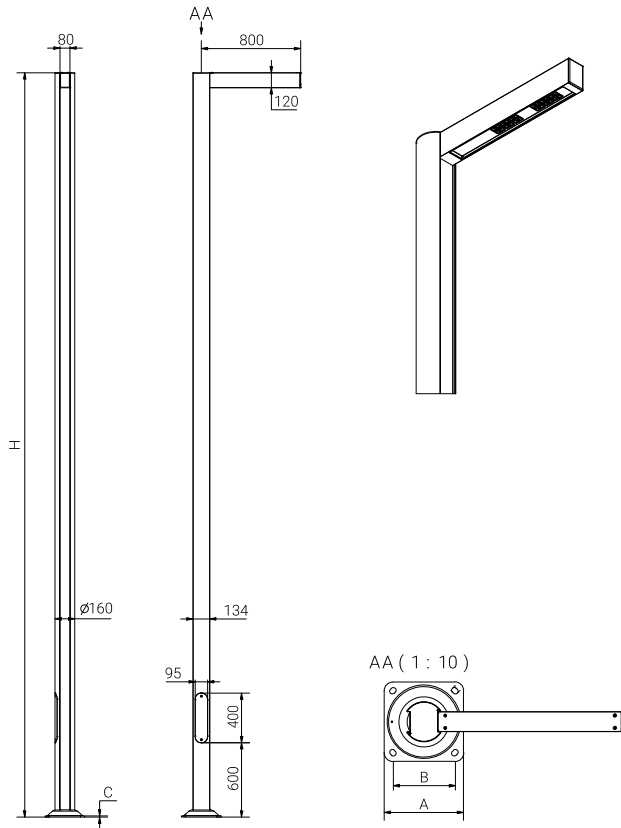
Code	Symbol	LED power	Luminaire Power consumption	LED forward current	Colour temperature (CCT)	LEDs luminous flux ¹	Luminaire luminous flux ¹	Luminous efficacy
30/1/... ²	BEAM I LED 24	24W	28W	700mA	2700K	4050lm	3250lm	116lm/W
30/3/... ²	BEAM I LED 24	24W	28W	700mA	3500K	4350lm	3500lm	125lm/W
30/4/... ²	BEAM I LED 24	24W	28W	700mA	4000K	4550lm	3650lm	130lm/W
30/6/... ²	BEAM I LED 24	24W	28W	700mA	5000K	4550lm	3650lm	130lm/W
32/1/... ²	BEAM I LED 36	36W	40W	1000mA	2700K	5450lm	4400lm	110lm/W
32/3/... ²	BEAM I LED 36	36W	40W	1000mA	3500K	5800lm	4700lm	118lm/W
32/4/... ²	BEAM I LED 36	36W	40W	1000mA	4000K	6150lm	4950lm	124lm/W
32/6/... ²	BEAM I LED 36	36W	40W	1000mA	5000K	6150lm	4950lm	124lm/W
33/1/... ²	BEAM I LED 48	48W	55W	700mA	2700K	8150lm	6600lm	120lm/W
33/3/... ²	BEAM I LED 48	48W	55W	700mA	3500K	8650lm	7000lm	127lm/W
33/4/... ²	BEAM I LED 48	48W	55W	700mA	4000K	9150lm	7400lm	135lm/W
33/6/... ²	BEAM I LED 48	48W	55W	700mA	5000K	9150lm	7400lm	135lm/W
34/1/... ²	BEAM I LED 60	60W	67W	830mA	2700K	9300lm	7500lm	112lm/W
34/3/... ²	BEAM I LED 60	60W	67W	830mA	3500K	9850lm	7950lm	119lm/W
34/4/... ²	BEAM I LED 60	60W	67W	830mA	4000K	10450lm	8450lm	126lm/W
34/6/... ²	BEAM I LED 60	60W	67W	830mA	5000K	10450lm	8450lm	126lm/W
35/1/... ²	BEAM I LED 72	72W	79W	1000mA	2700K	10900lm	8800lm	111lm/W
35/3/... ²	BEAM I LED 72	72W	79W	1000mA	3500K	11600lm	9350lm	118lm/W
35/4/... ²	BEAM I LED 72	72W	79W	1000mA	4000K	12300lm	9950lm	126lm/W
35/6/... ²	BEAM I LED 72	72W	79W	1000mA	5000K	12300lm	9950lm	126lm/W

1) tolerance +/- 5% due to LEDs accuracy

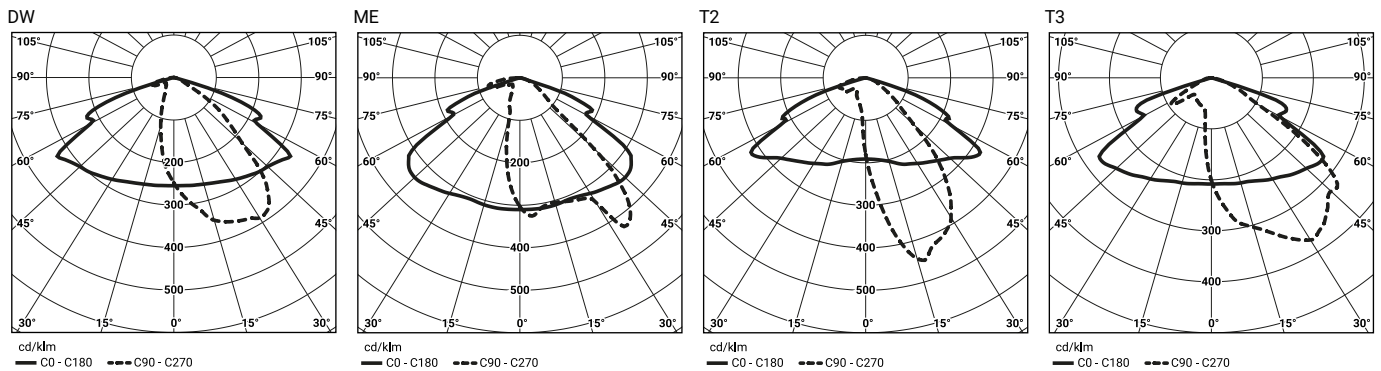
2) symbol of chosen optical system eg. 30/3/T2 is a bracket BEAM I LED 24 with T2 optical system, 3500K

Directive: 2014/35/UE (Official Journal of the UE L 96/357 29.03.2014), 2014/30/UE (Official Journal of the UE L 96/79 29.03.2014), 2011/65/UE, 2009/125/EC **Finish:** option of elastomer protection in the colour of LED lighting sets up to the height of 350 mm (as standard for CI63, CI65, CI75, CI78 interference colors)

TECHNICAL DRAWING



PHOTOMETRIC CURVES



POWER SYSTEM FUNCTIONS

Luminaire in standard has following functions of intelligent power supply:

- Connection to outside control system by DALI interface (operation of analog signal 1-10V as an option),
- Possibility of programming multistage dimming of luminaire, up to 5 intervals in the range of from 10 to 100% of nominal power,
- Temperature protection of LED module (from overheating) in case of unintentional luminaire operation during the,
- Regulation of power / luminous flux – the option of setting another value than the catalogue in the range of 30-100% of nominal one,

Overcurrent switches MCB type B or C

Lighting sets	Type	2A	4A	6A	10A	16A	20A	25A
BEAM I LED 24, 36W	B	3	6	10	16	26	32	40
	C	3	10	16	27	44	54	67
BEAM I LED 48, 60, 72W	B	1	2	4	6	11	13	17
	C	1	4	6	11	18	22	28

Fuse – type gG and GL

Lighting sets	2A	4A	6A	10A	16A	20A	25A
BEAM I LED 24, 36W	1	10	19	25	50	68	97
BEAM I LED 48, 60, 72W	0	4	8	11	21	29	42

ACCEPTABLE HEIGHT

BEAM I LED	Acceptable height of the LED lighting set			
	I zone Vref. = 22 m/s	I & III zone, up to 450m a.s.l. Vref. = 24 m/s	II zone Vref. = 26 m/s	III zone up to 755m a.s.l. Vref. = 28 m/s
I	7,5	7	6,5	6
II	8	7,5	7	6,5
III	8	8	7,5	7
IV	8	8	8	7,5