



## TECHNICAL DATA

<b>Application</b>	residential roads (internal), surrounding office buildings, parks, pedestrians, parkings
<b>Colour</b>	grey / inox
<b>Ingress protection</b>	IP 66 for the optical part and the driver
<b>Optical system</b>	PMMA optics, interchangeable LED module
<b>Material</b>	anodised aluminium alloy
<b>Expected useful lifetime</b>	L90B10 - 100 000 h
<b>CRI</b>	>70
<b>Input voltage frequency</b>	50/60Hz
<b>Power factor</b>	≥0.95
<b>Number of LED</b>	12 - (STICK LED 24 W), 24 - (STICK LED 48 W), 2x12 - (STICK II LED 24 W), 2x24 - (STICK II LED 48 W), 3x12 - (24 W), 3x24 - (48 W), 4x12 - (24 W), 4x24 - (48 W),
<b>Control system</b>	LED lighting set has the possibility to connect to an external control system via DALI interface (optionally via analog signal 1-10V).



## TABLE OF TYPES

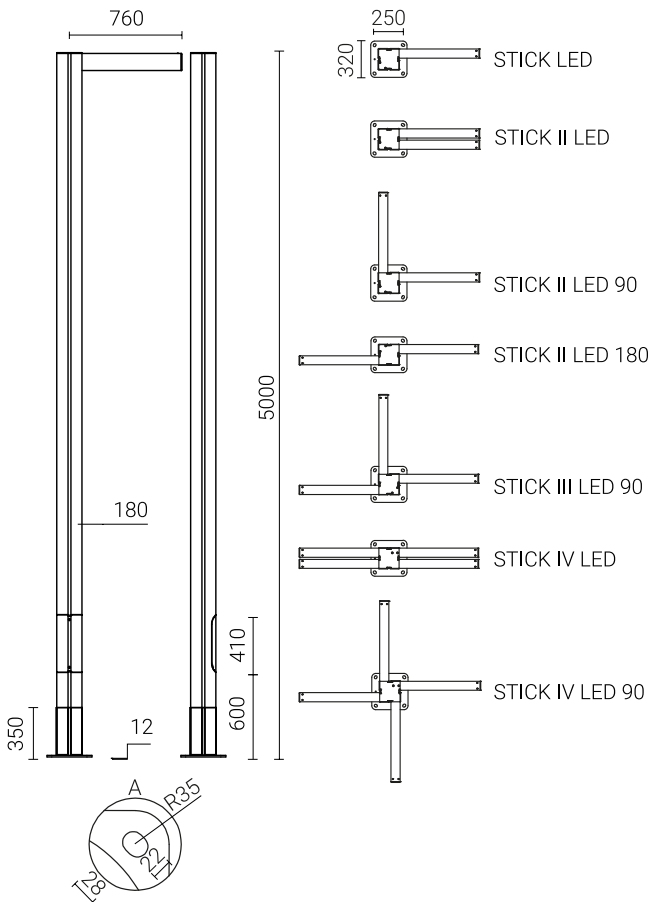
Code	Symbol	Height of the column [H]	LED power	Luminaire power consumption	LED forward current	Colour temperature (CCT)	LEDs luminous flux <sup>1</sup>	Luminaire luminous flux <sup>1</sup>	Luminous efficacy <sup>1</sup>	Unit volume	Concrete footing / reinforcement basket type	Fasteners	Net weight
217030/1/... <sup>2</sup>	STICK LED 24	5 m	24 W	28 W	700 mA	2700 K	3600 lm	2900 lm	104 lm/W	1.1 m <sup>3</sup>	B-60 / Z-60	4008	61 kg
217030/3/... <sup>2</sup>	STICK LED 24	5 m	24 W	28 W	700 mA	3500 K	4350 lm	3500 lm	125 lm/W	1.1 m <sup>3</sup>	B-60 / Z-60	4008	61 kg
217030/4/... <sup>2</sup>	STICK LED 24	5 m	24 W	28 W	700 mA	4000 K	4350 lm	3500 lm	125 lm/W	1.1 m <sup>3</sup>	B-60 / Z-60	4008	61 kg
217030/6/... <sup>2</sup>	STICK LED 24	5 m	24 W	28 W	700 mA	5000 K	4350 lm	3500 lm	125 lm/W	1.1 m <sup>3</sup>	B-60 / Z-60	4008	61 kg
217033/1/... <sup>2</sup>	STICK LED 48	5 m	48 W	55 W	700 mA	2700 K	8150 lm	5700 lm	104 lm/W	1.1 m <sup>3</sup>	B-60 / Z-60	4008	61 kg
217033/3/... <sup>2</sup>	STICK LED 48	5 m	48 W	55 W	700 mA	3500 K	8650 lm	7000 lm	127 lm/W	1.1 m <sup>3</sup>	B-60 / Z-60	4008	61 kg
217033/4/... <sup>2</sup>	STICK LED 48	5 m	48 W	55 W	700 mA	4000 K	9150 lm	7400 lm	135 lm/W	1.1 m <sup>3</sup>	B-60 / Z-60	4008	61 kg
217033/6/... <sup>2</sup>	STICK LED 48	5 m	48 W	55 W	700 mA	5000 K	9150 lm	7400 lm	135 lm/W	1.1 m <sup>3</sup>	B-60 / Z-60	4008	61 kg
217130/1/... <sup>2</sup>	STICK II LED 24	5 m	24 W x 2	28 W x 2	700 mA	2700 K	4050 lm x 2	3249 lm x 2	116 lm/W	1.1 m <sup>3</sup>	B-60 / Z-60	4008	67 kg
217130/3/... <sup>2</sup>	STICK II LED 24	5 m	24 W x 2	28 W x 2	700 mA	3500 K	4350 lm x 2	3500 lm x 2	125 lm/W	1.1 m <sup>3</sup>	B-60 / Z-60	4008	67 kg
217130/4/... <sup>2</sup>	STICK II LED 24	5 m	24 W x 2	28 W x 2	700 mA	4000 K	4550 lm x 2	3650 lm x 2	130 lm/W	1.1 m <sup>3</sup>	B-60 / Z-60	4008	67 kg
217130/6/... <sup>2</sup>	STICK II LED 24	5 m	24 W x 2	28 W x 2	700 mA	5000 K	4550 lm x 2	3650 lm x 2	130 lm/W	1.1 m <sup>3</sup>	B-60 / Z-60	4008	67 kg
217133/1/... <sup>2</sup>	STICK II LED 48	5 m	48 W x 2	55 W x 2	700 mA	2700 K	8150 lm x 2	6600 lm x 2	120 lm/W	1.1 m <sup>3</sup>	B-60 / Z-60	4008	67 kg
217133/3/... <sup>2</sup>	STICK II LED 48	5 m	48 W x 2	55 W x 2	700 mA	3500 K	8650 lm x 2	7000 lm x 2	127 lm/W	1.1 m <sup>3</sup>	B-60 / Z-60	4008	67 kg
217133/4/... <sup>2</sup>	STICK II LED 48	5 m	48 W x 2	55 W x 2	700 mA	4000 K	9150 lm x 2	7400 lm x 2	135 lm/W	1.1 m <sup>3</sup>	B-60 / Z-60	4008	67 kg
217133/6/... <sup>2</sup>	STICK II LED 48	5 m	48 W x 2	55 W x 2	700 mA	5000 K	9150 lm x 2	7400 lm x 2	135 lm/W	1.1 m <sup>3</sup>	B-60 / Z-60	4008	67 kg
217230/1/... <sup>2</sup>	STICK II LED 90 24	5 m	24 W x 2	28 W x 2	700 mA	2700 K	4050 lm x 2	3250 lm x 2	116 lm/W	1.1 m <sup>3</sup>	B-60 / Z-60	4008	67 kg
217230/3/... <sup>2</sup>	STICK II LED 90 24	5 m	24 W x 2	28 W x 2	700 mA	3500 K	4350 lm x 2	3500 lm x 2	125 lm/W	1.1 m <sup>3</sup>	B-60 / Z-60	4008	67 kg
217230/4/... <sup>2</sup>	STICK II LED 90 24	5 m	24 W x 2	28 W x 2	700 mA	4000 K	4550 lm x 2	3650 lm x 2	130 lm/W	1.1 m <sup>3</sup>	B-60 / Z-60	4008	67 kg
217230/6/... <sup>2</sup>	STICK II LED 90 24	5 m	24 W x 2	28 W x 2	700 mA	5000 K	4550 lm x 2	3650 lm x 2	130 lm/W	1.1 m <sup>3</sup>	B-60 / Z-60	4008	67 kg
217233/1/... <sup>2</sup>	STICK II LED 90 48	5 m	48 W x 2	55 W x 2	700 mA	2700 K	8150 lm x 2	6600 lm x 2	120 lm/W	1.1 m <sup>3</sup>	B-60 / Z-60	4008	67 kg
217233/3/... <sup>2</sup>	STICK II LED 90 48	5 m	48 W x 2	55 W x 2	700 mA	3500 K	8650 lm x 2	7000 lm x 2	127 lm/W	1.1 m <sup>3</sup>	B-60 / Z-60	4008	67 kg
217233/4/... <sup>2</sup>	STICK II LED 90 48	5 m	48 W x 2	55 W x 2	700 mA	4000 K	9150 lm x 2	7400 lm x 2	135 lm/W	1.1 m <sup>3</sup>	B-60 / Z-60	4008	67 kg
217233/6/... <sup>2</sup>	STICK II LED 90 48	5 m	48 W x 2	55 W x 2	700 mA	5000 K	9150 lm x 2	7400 lm x 2	135 lm/W	1.1 m <sup>3</sup>	B-60 / Z-60	4008	67 kg

217233/7/... <sup>2</sup>	STICK II LED 90 48	5 m	48 W x 2	55 W x 2	700 mA	5000 K	9150 lm x 2	7400 lm x 2	135 lm/W	1.1 m³	B-60 / Z-60	4008	67 kg
217233/6/... <sup>2</sup>	STICK II LED 90 48	5 m	48 W x 2	55 W x 2	700 mA	5000 K	9150 lm x 2	7400 lm x 2	135 lm/W	1.1 m³	B-60 / Z-60	4008	67 kg
217330/1/... <sup>2</sup>	STICK II LED 180 24	5 m	24 W x 2	28 W x 2	700 mA	2700 K	4050 lm x 2	3250 lm x 2	116 lm/W	1.1 m³	B-60 / Z-60	4008	62 kg
217330/3/... <sup>2</sup>	STICK II LED 180 24	5 m	24 W x 2	28 W x 2	700 mA	3500 K	4350 lm x 2	3500 lm x 2	116 lm/W	1.1 m³	B-60 / Z-60	4008	67 kg
217330/4/... <sup>2</sup>	STICK II LED 180 24	5 m	24 W x 2	28 W x 2	700 mA	4000 K	4550 lm x 2	3650 lm x 2	130 lm/W	1.1 m³	B-60 / Z-60	4008	67 kg
217330/6/... <sup>2</sup>	STICK II LED 180 24	5 m	24 W x 2	28 W x 2	700 mA	5000 K	4550 lm x 2	3650 lm x 2	130 lm/W	1.1 m³	B-60 / Z-60	4008	67 kg
217333/1/... <sup>2</sup>	STICK II LED 180 48	5 m	48 W x 2	55 W x 2	700 mA	2700 K	8150 lm x 2	6600 lm x 2	120 lm/W	1.1 m³	B-60 / Z-60	4008	67 kg
217333/3/... <sup>2</sup>	STICK II LED 180 48	5 m	48 W x 2	55 W x 2	700 mA	3500 K	8650 lm x 2	7000 lm x 2	127 lm/W	1.1 m³	B-60 / Z-60	4008	67 kg
217333/4/... <sup>2</sup>	STICK II LED 180 48	5 m	48 W x 2	55 W x 2	700 mA	4000 K	9150 lm x 2	7400 lm x 2	135 lm/W	1.1 m³	B-60 / Z-60	4008	67 kg
217333/6/... <sup>2</sup>	STICK II LED 180 48	5 m	48 W x 2	55 W x 2	700 mA	5000 K	9150 lm x 2	7400 lm x 2	135 lm/W	1.1 m³	B-60 / Z-60	4008	67 kg
217430/1/... <sup>2</sup>	STICK III LED 90-90 24	5 m	24 W x 3	28 W x 3	700 mA	2700 K	4050 lm x 3	3250 lm x 3	116 lm/W	1.1 m³	B-60 / Z-60	4008	73 kg
217430/3/... <sup>2</sup>	STICK III LED 90-90 24	5 m	24 W x 3	28 W x 3	700 mA	3500 K	4350 lm x 3	3500 lm x 3	125 lm/W	1.1 m³	B-60 / Z-60	4008	73 kg
217430/4/... <sup>2</sup>	STICK III LED 90-90 24	5 m	24 W x 3	28 W x 3	700 mA	4000 K	4550 lm x 3	3650 lm x 3	130 lm/W	1.1 m³	B-60 / Z-60	4008	73 kg
217430/6/... <sup>2</sup>	STICK III LED 90-90 24	5 m	24 W x 3	28 W x 3	700 mA	5000 K	4550 lm x 3	3650 lm x 3	130 lm/W	1.1 m³	B-60 / Z-60	4008	73 kg
217433/1/... <sup>2</sup>	STICK III LED 90-90 48	5 m	48 W x 3	55 W x 3	700 mA	2700 K	8150 lm x 3	6600 lm x 3	120 lm/W	1.1 m³	B-60 / Z-60	4008	73 kg
217433/3/... <sup>2</sup>	STICK III LED 90-90 48	5 m	48 W x 3	55 W x 3	700 mA	3500 K	8650 lm x 3	7000 lm x 3	127 lm/W	1.1 m³	B-60 / Z-60	4008	73 kg
217433/4/... <sup>2</sup>	STICK III LED 90-90 48	5 m	48 W x 3	55 W x 3	700 mA	4000 K	9150 lm x 3	7400 lm x 3	135 lm/W	1.1 m³	B-60 / Z-60	4008	73 kg
217433/6/... <sup>2</sup>	STICK III LED 90-90 48	5 m	48 W x 3	55 W x 3	700 mA	5000 K	9150 lm x 3	7400 lm x 3	135 lm/W	1.1 m³	B-60 / Z-60	4008	73 kg
217630/1/... <sup>2</sup>	STICK IV LED 24	5 m	24	28 W x 4	700 mA	2700 K	4050 lm x 4	3250 lm x 4	116 lm/W	1.1 m³	B-60 / Z-60	4008	79 kg
217630/3/... <sup>2</sup>	STICK IV LED 24	5 m	24	28 W x 4	700 mA	3500 K	4350 lm x 4	3500 lm x 4	125 lm/W	1.1 m³	B-60 / Z-60	4008	79 kg
217630/4/... <sup>2</sup>	STICK IV LED 24	5 m	24	28 W x 4	700 mA	4000 K	4550 lm x 4	3650 lm x 4	130 lm/W	1.1 m³	B-60 / Z-60	4008	79 kg
217630/6/... <sup>2</sup>	STICK IV LED 24	5 m	24	28 W x 4	700 mA	5000 K	4550 lm x 4	3650 lm x 4	130 lm/W	1.1 m³	B-60 / Z-60	4008	79 kg
217633/1/... <sup>2</sup>	STICK IV LED 48	5 m	48	55 W x 4	700 mA	2700 K	8150 lm x 4	6600 lm x 4	120 lm/W	1.1 m³	B-60 / Z-60	4008	79 kg
217633/3/... <sup>2</sup>	STICK IV LED 48	5 m	48	55 W x 4	700 mA	3500 K	8650 lm x 4	7000 lm x 4	127 lm/W	1.1 m³	B-60 / Z-60	4008	79 kg
217633/4/... <sup>2</sup>	STICK IV LED 48	5 m	48	55 W x 4	700 mA	4000 K	9150 lm x 4	7400 lm x 4	135 lm/W	1.1 m³	B-60 / Z-60	4008	79 kg
217633/6/... <sup>2</sup>	STICK IV LED 48	5 m	48	55 W x 4	700 mA	5000 K	9150 lm x 4	7400 lm x 4	135 lm/W	1.1 m³	B-60 / Z-60	4008	79 kg
217730/1/... <sup>2</sup>	STICK IV LED 90 24	5 m	24	28 W x 4	700 mA	2700 K	4050 lm x 4	3250 lm x 4	116 lm/W	1.1 m³	B-60 / Z-60	4008	79 kg
217730/3/... <sup>2</sup>	STICK IV LED 90 24	5 m	24	28 W x 4	700 mA	3500 K	4350 lm x 4	3500 lm x 4	125 lm/W	1.1 m³	B-60 / Z-60	4008	79 kg
217730/4/... <sup>2</sup>	STICK IV LED 90 24	5 m	24	28 W x 4	700 mA	4000 K	4550 lm x 4	3650 lm x 4	130 lm/W	1.1 m³	B-60 / Z-60	4008	79 kg
217730/6/... <sup>2</sup>	STICK IV LED 90 24	5 m	24	28 W x 4	700 mA	5000 K	4550 lm x 4	3650 lm x 4	130 lm/W	1.1 m³	B-60 / Z-60	4008	79 kg
217733/1/... <sup>2</sup>	STICK IV LED 90 48	5 m	48	55 W x 4	700 mA	2700 K	8150 lm x 4	6600 lm x 4	120 lm/W	1.1 m³	B-60 / Z-60	4008	79 kg
217733/3/... <sup>2</sup>	STICK IV LED 90 48	5 m	48	55 W x 4	700 mA	3500 K	8650 lm x 4	7000 lm x 4	127 lm/W	1.1 m³	B-60 / Z-60	4008	79 kg
217733/4/... <sup>2</sup>	STICK IV LED 90 48	5 m	48	55 W x 4	700 mA	4000 K	9150 lm x 4	7400 lm x 4	135 lm/W	1.1 m³	B-60 / Z-60	4008	79 kg
217733/6/... <sup>2</sup>	STICK IV LED 90 48	5 m	48	55 W x 4	700 mA	5000 K	9150 lm x 4	7400 lm x 4	135 lm/W	1.1 m³	B-60 / Z-60	4008	79 kg

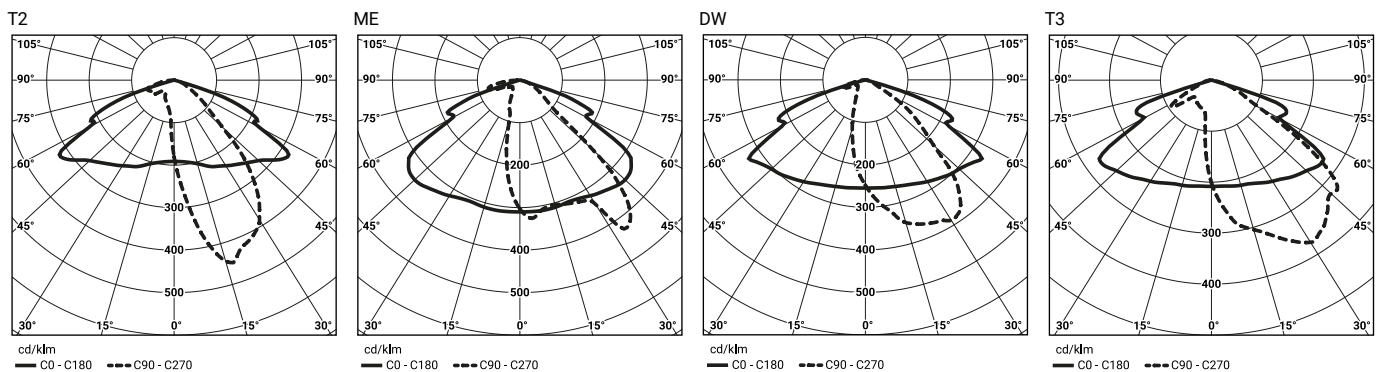
1) tolerance +/- 5% due to LEDs accuracy

2) symbol of chosen optical system eg. 217030/3/T2 is a bracket STICK LED 24 3500K with T2 optical system

## TECHNICAL DRAWING



## PHOTOMETRIC CURVES



## POWER SYSTEM FUNCTIONS

### Luminaire in standard has following functions of intelligent power supply:

- Connection to outside control system by DALI interface (operation of analog signal 1-10V as an option),
- Possibility of programming multistage dimming of luminaire, up to 5 intervals in the range of from 10 to 100% of nominal power,
- Temperature protection of LED module (from overheating) in case of unintentional luminaire operation during the,
- Regulation of power / luminous flux – the option of setting another value than the catalogue in the range of 30-100% of nominal one,

Overcurrent switches MCB type B or C

Lighting set	Typ	2A	4A	6A	10A	16A	20A	25A
STICK LED 24	B	3	6	10	16	26	32	40
	C	3	10	16	27	44	54	67
STICK II LED 24 STICK LED 48 STICK III LED 24	B	1	2	4	6	11	13	17
	C	1	4	6	11	18	22	28
STICK II LED 48 STICK III LED 48 STICK IV LED 24	B	1	2	3	5	8	10	12
	C	1	3	5	8	13	16	20
STICK IV LED 48	B	0	1	1	2	4	5	6
	C	0	1	2	4	6	8	10

Overcurrent switches MCB type B or C

Lighting set	2A	4A	6A	10A	16A	20A	25A
STICK LED 24	1	10	19	25	50	68	97
STICK II LED 24 STICK LED 48 STICK III LED 24	0	4	8	11	21	29	42
STICK II LED 48 STICK IV LED 24	0	3	6	8	17	23	33
STICK III LED 48	0	3	6	8	17	22	27
STICK IV LED 48	0	1	3	4	8	11	16

## ACCEPTABLE HEIGHT

STICK I LED Acceptable height of the LED lighting set

Field category	I zone Vref. = 22 m/s	I & III zone, up to 450m a.s.l. Vref. = 24 m/s	II zone Vref. = 26 m/s	III zone up to 755m a.s.l. Vref. = 28 m/s
I	6	5,5	5	4,5
II	6	5,5	5,5	5
III	6	6	5,5	5,5
IV	6	6	6	6

STICK II LED Acceptable height of the LED lighting set

Field category	I zone Vref. = 22 m/s	I & III zone, up to 450m a.s.l. Vref. = 24 m/s	II zone Vref. = 26 m/s	III zone up to 755m a.s.l. Vref. = 28 m/s
I	5,5	5	4,5	4
II	6	5,5	5	4,5
III	6	6	5,5	5
IV	6	6	6	5,5

STICK III/IV LED Acceptable height of the LED lighting set

Field category	I zone Vref. = 22 m/s	I & III zone, up to 450m a.s.l. Vref. = 24 m/s	II zone Vref. = 26 m/s	III zone up to 755m a.s.l. Vref. = 28 m/s
I	5,5	5	4,5	4
II	5,5	5	4,5	4,5
III	6	5,5	5	5
IV	6	6	5,5	5,5