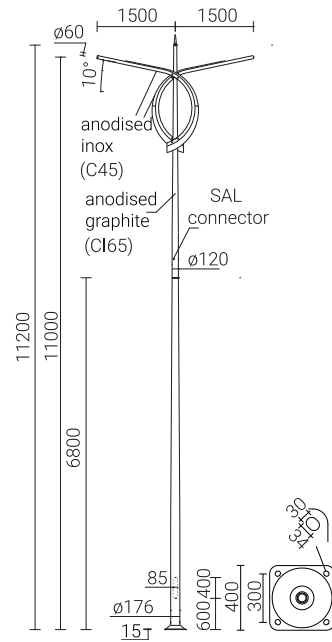


Aluminium column SAL-11 P12 OZ



176 mm at the base plate



TECHNICAL DATA

Anodising	graphite / inox
Luminaire mounting	directly on the extension arm, luminaires with $\varnothing 60$ mm mounting with weight and surface parameters not exceeding the data from the strength table included in the technical data sheet
Packing	sleeve material
Performance under vehicle impact (passive safety)	Classe 0
Diameter at the base plate	176 mm
Finish	brushed anodised aluminium, option of elastomer protection in column's colour up to a height of 350 mm (other height on customer's request)

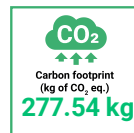


TABLE OF TYPES

Code	Symbol	Height of the column [H]	Wall thickness	Unit volume	Concrete footing / reinforcement basket type	Concrete footing / reinforcement basket code	Fasteners	Net weight
42494/Cl65/C45/C...	SAL-11 P12 OZ	11.3 m	5.2 mm	0.858 m ³	B-70 / Z-70	311170 / 311207	4012	84.6 kg

STRENGTH TABLE

SAL-11 P12 OZ		Acceptable windage of single luminaire [m ²] for Cx=1			
		Vref. = 22 m/s	Vref. = 24 m/s	Vref. = 26 m/s	Vref. = 28 m/s
Permissible weight of a single luminaire [kg]	Zone I, terrain category III	Zone I and III, terrain category III up to 450m a.s.l.	Zone II, terrain category III	Zone III, terrain category III up to 755m a.s.l.	
15	0,25	0,13	X	X	

We perform individual strength calculations for other wind zones and wind speeds

