



## TECHNICAL DATA

<b>Application</b>	urban roads, residential roads (internal), surrounding office buildings, parks, pedestrians, bicycle routes
<b>Assembly</b>	on column with ø60x50 mm ending
<b>Colour</b>	inox / black
<b>Ingress protection</b>	IP 66 for the optical part and the driver
<b>Material</b>	anodised aluminium alloy
<b>Operating temperature range</b>	from -40°C to +55°C
<b>Expected useful lifetime</b>	L90B10 - 100 000 h
<b>CRI</b>	>70
<b>Inrush current</b>	50A / 210µs
<b>Input voltage frequency</b>	50/60Hz
<b>Power factor</b>	≥0.95
<b>Number of LED</b>	12
<b>Control system</b>	Luminaire has the possibility to connect to an external control system via analog signal 1- 10V.



## TABLE OF TYPES

Code	Symbol	LED power	Luminaire power consumption	LED forward current	Colour temperature (CCT)	LEDs luminous flux <sup>1</sup>	Luminaire luminous flux <sup>1</sup>	Luminous efficacy <sup>1</sup>	Unit volume	Net weight
213330/1/... <sup>2</sup>	ISKRA LED ALFA 24	27 W	30 W	760 mA	2700 K	4450 lm	4050 lm	135 lm/W	0.001 m <sup>3</sup>	2.5 kg
213330/3/... <sup>2</sup>	ISKRA LED ALFA 24	27 W	30 W	760 mA	3500 K	4700 lm	4300 lm	143 lm/W	0.001 m <sup>3</sup>	2.5 kg
213330/4/... <sup>2</sup>	ISKRA LED ALFA 24	27 W	30 W	760 mA	4000 K	5000 lm	4600 lm	153 lm/W	0.001 m <sup>3</sup>	2.5 kg
213330/6/... <sup>2</sup>	ISKRA LED ALFA 24	27 W	30 W	760 mA	5000 K	5000 lm	4600 lm	153 lm/W	0.001 m <sup>3</sup>	2.5 kg
213332/1/... <sup>2</sup>	ISKRA LED ALFA 36	36 W	39.5 W	960 mA	2700 K	5350 lm	4900 lm	124 lm/W	0.001 m <sup>3</sup>	2.5 kg
213332/3/... <sup>2</sup>	ISKRA LED ALFA 36	36 W	39.5 W	960 mA	3500 K	5700 lm	5200 lm	132 lm/W	0.001 m <sup>3</sup>	2.5 kg
213332/4/... <sup>2</sup>	ISKRA LED ALFA 36	36 W	39.5 W	960 mA	4000 K	6050 lm	5550 lm	141 lm/W	0.001 m <sup>3</sup>	2.5 kg
213332/6/... <sup>2</sup>	ISKRA LED ALFA 36	36 W	39.5 W	960 mA	5000 K	6050 lm	5550 lm	141 lm/W	0.001 m <sup>3</sup>	2.5 kg

1) tolerance +/- 7% due to LEDs accuracy

2) symbol of chosen optical system eg. 213330/6/T2 is ISKRA LED ALFA 24 5000K with T2 optical system

## DIRECTIVES AND STANDARDS

**DIRECTIVES:** 2014/35/UE (Official Journal of the UE L 96/357 29.03.2014), 2014/30/UE (Official Journal of the UE L 96/79 29.03.2014), 2011/65/UE, 2009/125/EC

**STANDARDS:** PN-EN 60598-1: 2015, PN-EN 60598-2-3: 2006, PN-EN 60529: 2003, PN-EN 62262: 2003, PN-EN 62471:2010, PN-EN 55015: 2013, PN-EN 61547: 2009, PN-EN 61000-3-2: 2014, PN-EN 61000-3-3: 2013

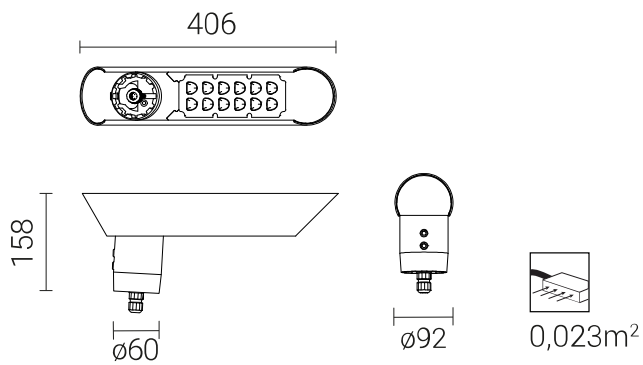
## CHARGING DISCHARGE FROM THE LED LUMINAIRE HOUSING

In order to efficient discharge the electrostatic charge from the housing of LED fitting installed on the pole from dielectric material (non-conductive) one of the following solutions is required:

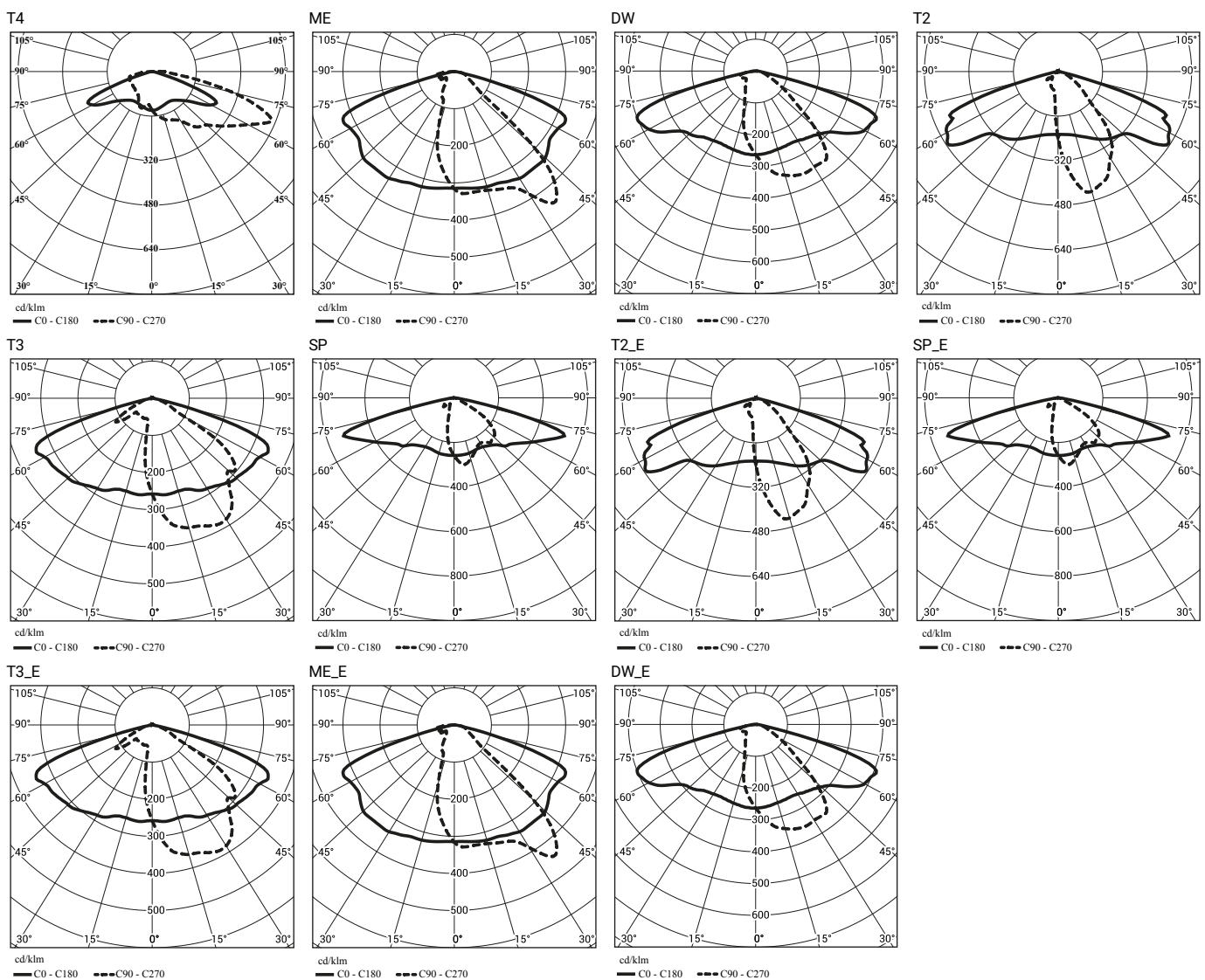
- functional grounding

- LED luminaire with an additional protection device

## TECHNICAL DRAWING



## PHOTOMETRIC CURVES



## POWER SYSTEM FUNCTIONS

The luminaire can optionally be connected to an external control system via the 1-10V interface.

The standard functions of the intelligent power supply system are provided by the ISKRA LED PROG and ISKRA LED ALFA PROG luminaires

## ACCEPTABLE QUANTITY OF LUMINAIRES ON ONE CIRCUIT

Overcurrent switches MCB type B or C

Luminaire	Typ	2A	4A	6A	10A	16A	20A	25A
ISKRA LED ALFA	B	1	3	4	7	12	15	18
	C	1	5	7	12	20	24	31

Fuse – type gG and GL

Luminaire	2A	4A	6A	10A	16A	20A	25A
ISKRA LED ALFA	0	4	8	11	21	29	42