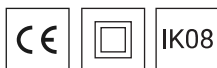


## TECHNICAL DATA

|                               |                                                                                                                                                                                                                                                                                                                                                                           |
|-------------------------------|---------------------------------------------------------------------------------------------------------------------------------------------------------------------------------------------------------------------------------------------------------------------------------------------------------------------------------------------------------------------------|
| <b>Assembly</b>               | installed on the aluminium rail on the back wall of the column using two M6 bolts                                                                                                                                                                                                                                                                                         |
| <b>Ingress protection</b>     | IP 54                                                                                                                                                                                                                                                                                                                                                                     |
| <b>Material</b>               | integrated terminal strip – made of PTB material (butylene polyterephthalate), with high insulation parameters and high mechanical resistance; connection cover and clamp/cable protection – made of transparent polycarbonate; connection box base – made of polycarbonate reinforced by fibre glass, cable opening/outlets are protected with gaskets                   |
| <b>Number of fuse-sockets</b> | Three fuse-sockets on three phases L1, L2, L3                                                                                                                                                                                                                                                                                                                             |
| <b>Description</b>            | 5 tracks connection boxes for feeder cables with cross-section: 5 x 6 mm <sup>2</sup> to 5 x 16 mm <sup>2</sup> for Cu<br><br>Cross-section of output cables (for powering the luminaire)<br>- three cables max. 3 x 2.5 mm <sup>2</sup><br>- max. 3 cables<br>- the possibility of splitting load into particular phases<br>- the possibility of moving the fuse-sockets |

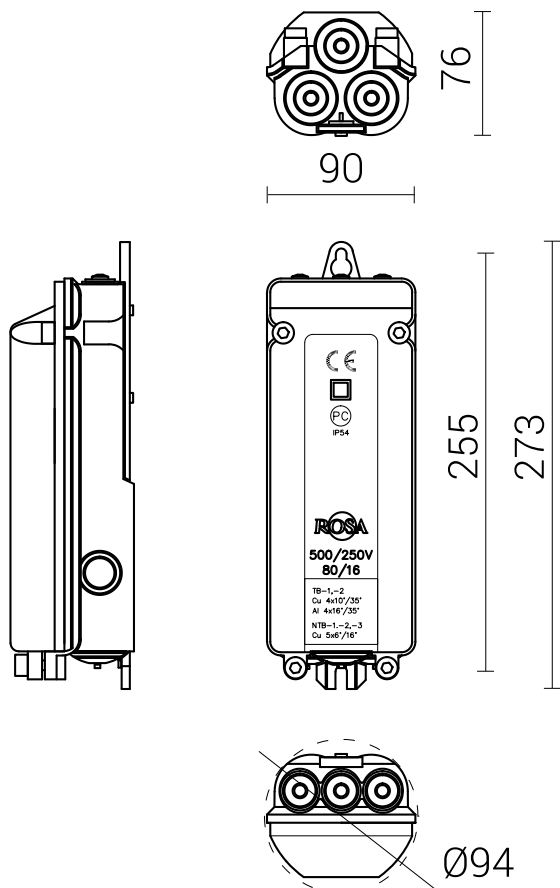


## TABLE OF TYPES

| Code   | Symbol | Unit volume          | Fuse sockets quantity | Protection class | Rated insulation voltage | Withstand stroke voltage rating | Rated current | Net weight |
|--------|--------|----------------------|-----------------------|------------------|--------------------------|---------------------------------|---------------|------------|
| 324130 | NTB-3  | 0.002 m <sup>3</sup> | 3                     | II               | 500 V                    | 6 kV                            | 80 A          | 0.76 kg    |

**DIRECTIVES:** 2014/35/UE (Dz. Urz.UE L 96, 29.03.2014, str.357), 2011/65/UE (Dz. Urz.UE L 174, 01.07.2011, str.88)

**STANDARDS:** PN-EN 60529: 2003, PN-EN 50102: 2001, PN-EN 61439-1: 2011, PN-EN 61439-2: 2011



Fuse-link D01

| Fuse-link typej | Code   | Weight |
|-----------------|--------|--------|
| D01/E14 6A      | 322006 | 0,01kg |
| D01/E14 10A     | 322010 | 0.01kg |
| D01/E14 16A     | 322016 | 0.01kg |