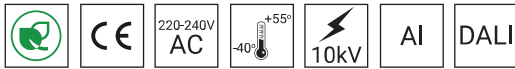




## TECHNICAL DATA

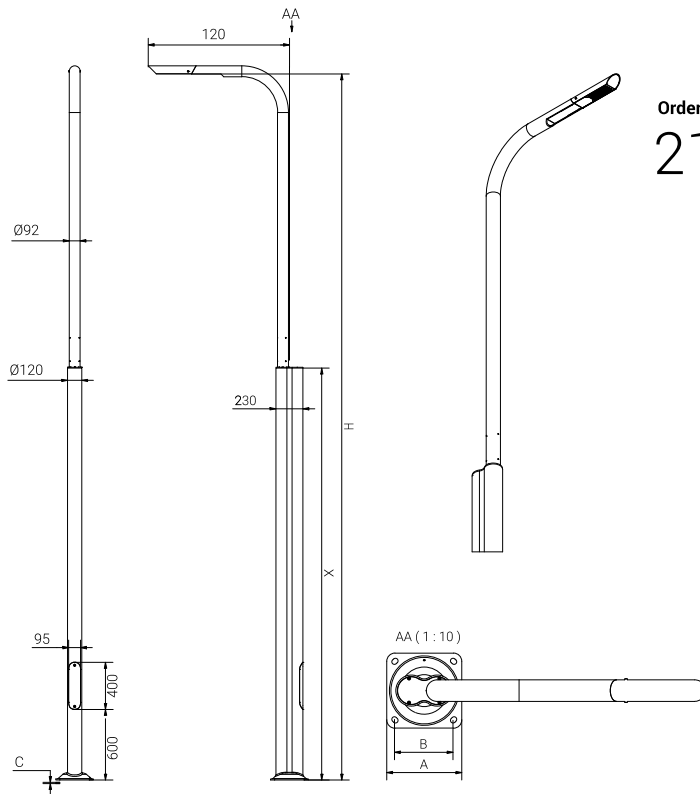
<b>Application</b>	urban roads, residential roads (internal), surrounding office buildings, parks, pedestrians, parkings
<b>Colour</b>	inox / black
<b>Ingress protection</b>	IP 66 for the optical part and the driver
<b>Optical system</b>	PMMA optics
<b>Material</b>	anodised aluminium alloy
<b>Expected useful lifetime</b>	L90B10 - 100 000 h
<b>CRI</b>	>70
<b>Input voltage frequency</b>	50/60Hz
<b>Power factor</b>	≥0.95
<b>Number of LED</b>	12
<b>Control system</b>	LED lighting set has the possibility to connect to an external control system via DALI interface (optionally via analog signal 1-10V).



## TABLE OF VARIANTS - HEIGHTS

Symbol	Set Height [h]*	Height [h]	Dimension of the base plate (A)/[B]/[C]	Concrete footing / reinforcement basket type	Concrete footing / reinforcement basket code	Fasteners	Net weight	Approximate unit volume
SNAKE I LED	4,0m - 40	3,0m	320 / 250 / 10	B-60 / Z-60	311160 / 311206	4008	39kg	0,55m <sup>3</sup>
SNAKE I LED	4,5m - 45	3,5m	320 / 250 / 10	B-60 / Z-60	311160 / 311206	4008	45kg	0,60m <sup>3</sup>
SNAKE I LED	5,0m - 50	3,5m	320 / 250 / 10	B-60 / Z-60	311160 / 311206	4008	47kg	0,67m <sup>3</sup>
SNAKE I LED	5,5m - 55	3,5m	320 / 250 / 10	B-60 / Z-60	311160 / 311206	4008	52kg	0,73m <sup>3</sup>
SNAKE I LED	6,0m - 60	3,5m	320 / 250 / 10	B-60 / Z-60	311160 / 311206	4008	56kg	0,79m <sup>3</sup>
SNAKE I LED	6,5m - 65	4,5m	400 / 300 / 10	B-70, B-71 / Z-70, Z71	311170, 311171 / 311207, 311271	4012	59kg	0,81m <sup>3</sup>
SNAKE I LED	7,0m - 70	4,5m	400 / 300 / 10	B-70, B-71 / Z-70, Z71	311170, 311171 / 311207, 311271	4012	64kg	0,90m <sup>3</sup>
SNAKE I LED	7,5m - 75	5,5m	400 / 300 / 12	B-70, B-71 / Z-70, Z71	311170, 311171 / 311207, 311271	4012	68kg	0,96m <sup>3</sup>
SNAKE I LED	8,0m - 80	5,5m	400 / 300 / 12	B-70, B-71 / Z-70, Z71	311170, 311171 / 311207, 311271	4012	70kg	1,02m <sup>3</sup>

## HOW TO GENERATE VARIANT CODES



Order code

## 2160100/32/3/T3

**Arm height #1 - H**

40 = 4,0m  
45 = 4,5m  
50 = 5,0m  
55 = 5,5m  
60 = 6,0m  
65 = 6,5m  
70 = 7,0m  
75 = 7,5m  
80 = 8,0m

**Arm power variant #1**

np. 32/3/T3 = ramię  
SNAKE I LED 36 3500K  
z układem optycznym T3

TABLE OF VARIANTS - LIGHTING

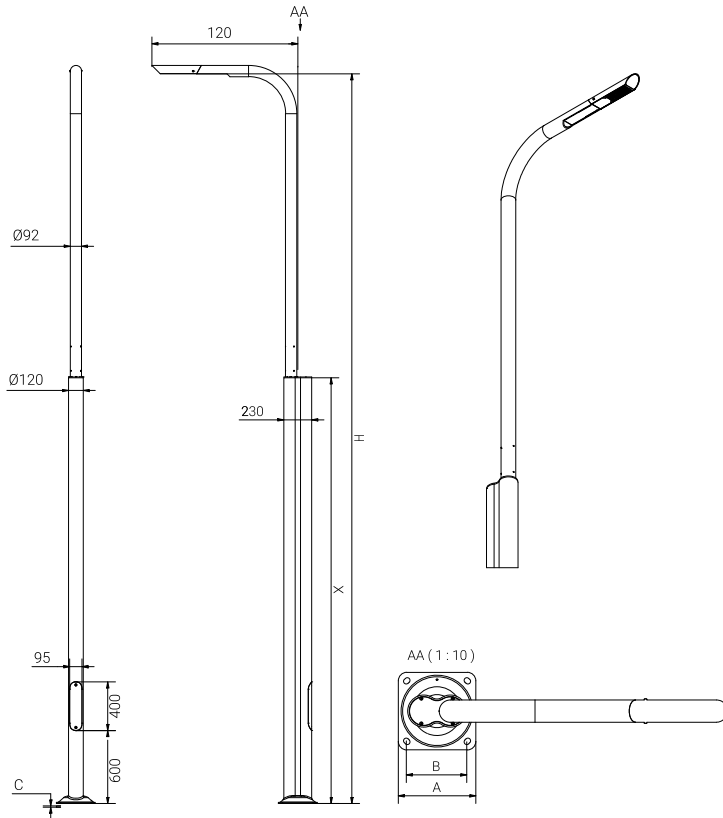
Code	Symbol	LED power	Luminaire Power consumption	LED forward current	Colour temperature (CCT)	LEDs luminous flux <sup>1</sup>	Luminaire luminous flux <sup>1</sup>	Luminous efficacy
27/1/... <sup>2</sup>	SNAKE I LED 12	12 W	14 W	350 mA	2 700 K	2 250 lm	2 050 lm	146 lm/W
27/3/... <sup>2</sup>	SNAKE I LED 12	12 W	14 W	350 mA	3 500 K	2 400 lm	2 200 lm	157 lm/W
27/4/... <sup>2</sup>	SNAKE I LED 12	12 W	14 W	350 mA	4 000 K	2 550 lm	2 350 lm	168 lm/W
27/6/... <sup>2</sup>	SNAKE I LED 12	12 W	14 W	350 mA	5 000 K	2 550 lm	2 350 lm	168 lm/W
30/1/... <sup>2</sup>	SNAKE I LED 24	24 W	28 W	700 mA	2 700 K	4 150 lm	3 800 lm	136 lm/W
30/3/... <sup>2</sup>	SNAKE I LED 24	24 W	28 W	700 mA	3 500 K	4 400 lm	4 050 lm	145 lm/W
30/4/... <sup>2</sup>	SNAKE I LED 24	24 W	28 W	700 mA	4 000 K	4 650 lm	4 250 lm	152 lm/W
30/6/... <sup>2</sup>	SNAKE I LED 24	24 W	28 W	700 mA	5 000 K	4 650 lm	4 250 lm	152 lm/W
32/1/... <sup>2</sup>	SNAKE I LED 36	36 W	40 W	1 000 mA	2 700 K	5 550 lm	5 100 lm	128 lm/W
32/3/... <sup>2</sup>	SNAKE I LED 36	36 W	40 W	1 000 mA	3 500 K	5 900 lm	5 400 lm	135 lm/W
32/4/... <sup>2</sup>	SNAKE I LED 36	36 W	40 W	1 000 mA	4 000 K	6 250 lm	5 700 lm	143 lm/W
32/6/... <sup>2</sup>	SNAKE I LED 36	36 W	40 W	1 000 mA	5 000 K	6 250 lm	5 700 lm	143 lm/W

1) tolerance +/- 5% due to LEDs accuracy

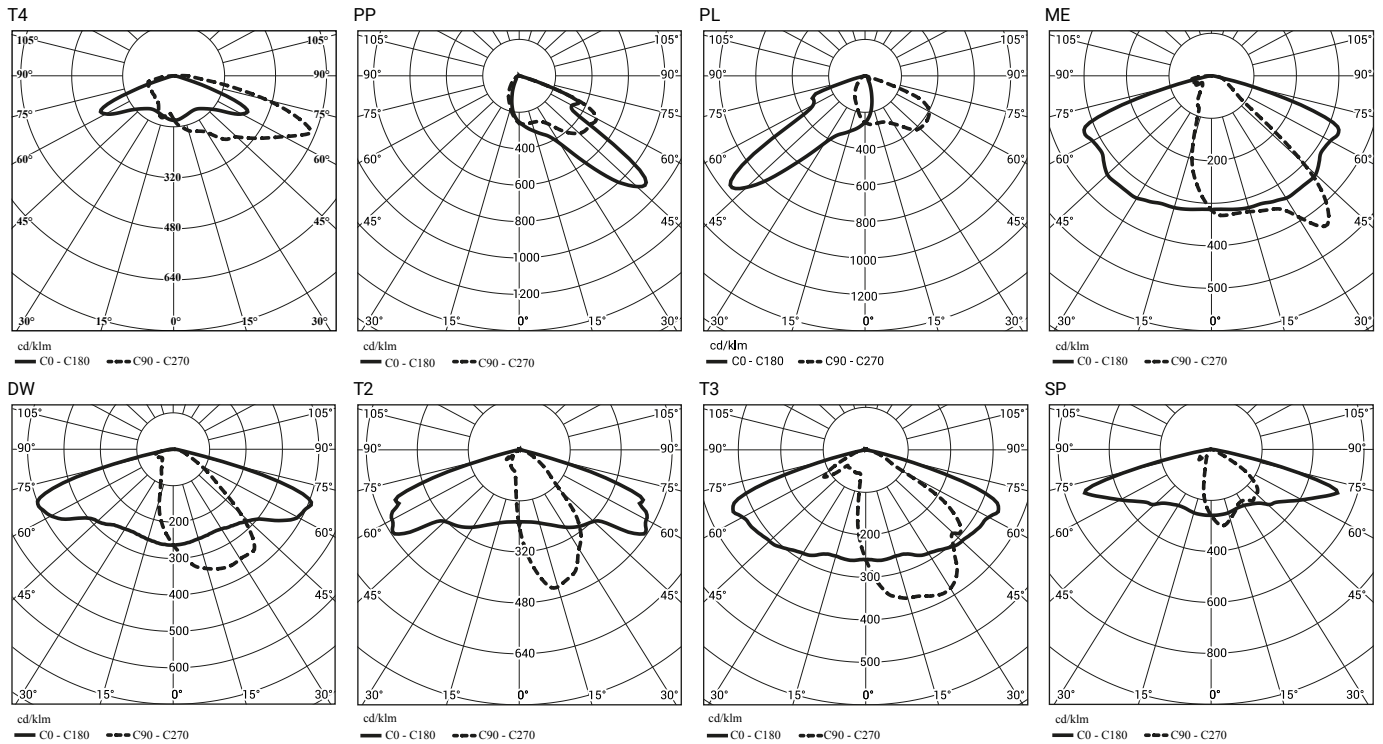
2) symbol of chosen optical system eg. 30/6/T2 is a bracket SNAKE I LED 24 with T2 optical system, 5000K

**Directive:** 2014/35/UE (Official Journal of the UE L 96/357 29.03.2014), 2014/30/UE (Official Journal of the UE L 96/79 29.03.2014), 2011/65/UE, 2009/125/EC **Finish:** option of elastomer protection in the colour of LED lighting sets up to the height of 350 mm (as standard for CI63, CI65, CI75, CI78 interference colors)

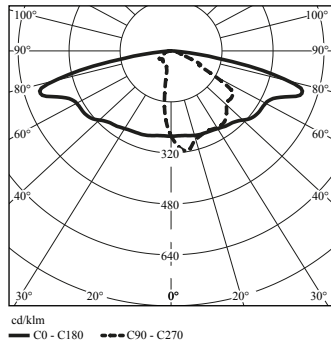
## TECHNICAL DRAWING



## PHOTOMETRIC CURVES



3L



## POWER SYSTEM FUNCTIONS

### Luminaire in standard has following functions of intelligent power supply:

- Connection to outside control system by DALI interface (operation of analog signal 1-10V as an option),
- Possibility of programming multistage dimming of luminaire, up to 5 intervals in the range of from 10 to 100% of nominal power,
- Temperature protection of LED module (from overheating) in case of unintentional luminaire operation during the,
- Regulation of power / luminous flux – the option of setting another value than the catalogue in the range of 30-100% of nominal one,

Overcurrent switches MCB type B or C

Lighting sets	Typ	2A	4A	6A	10A	16A	20A	25A
SNAKE I LED	B	3	6	10	16	26	32	40
	C	3	10	16	27	44	54	67

Fuse – type gG and GL

Lighting sets	2A	4A	6A	10A	16A	20A	25A
SNAKE I LED	1	10	19	25	50	68	97

## ACCEPTABLE HEIGHT

SNAKE I LED      Acceptable height of the LED lighting set

Field category	I zone Vref. = 22 m/s	I & III zone, up to 450m by s.I Vref. = 24 m/s	II zone Vref. = 26 m/s	III zone up to 755m by s.I Vref. = 28 m/s
I	8	8	8	8
II	8	8	8	8
III	8	8	8	8
IV	8	8	8	8