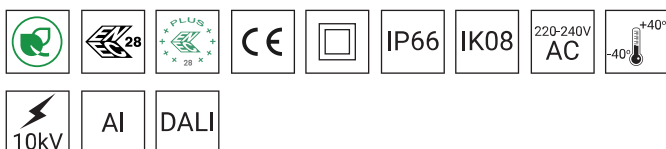




## TECHNICAL DATA

<b>Application</b>	urban roads, residential roads (internal), pedestrians, parkings
<b>Assembly</b>	directly on column with $\varnothing$ 60 x 180 mm ending or on extension arm with $\varnothing$ 60 x 100 mm ending
<b>Colour</b>	inox / black
<b>Ingress protection</b>	IP 66 for the optical part and the driver
<b>Optical system</b>	PMMA optics, interchangeable LED module, tempered glass diffuser
<b>Material</b>	anodised aluminium alloy
<b>Expected useful lifetime</b>	L90B10 - 100 000 h
<b>CRI</b>	>70
<b>Input voltage frequency</b>	50/60Hz
<b>Power factor</b>	$\geq$ 0.95
<b>Number of LED</b>	16
<b>Control system</b>	Luminaire has the possibility to connect to an external control system via DALI interface (optionally via analog signal 1- 10V).



## TABLE OF TYPES

Code	Symbol	LED power	Luminaire power consumption	LED forward current	Colour temperature (CCT)	LEDs luminous flux <sup>1</sup>	Luminaire luminous flux <sup>1</sup>	Luminous efficacy <sup>1</sup>	Unit volume	Net weight
222830/1/... <sup>2</sup>	CUDDLE MINI LED REG 24	24 W	26 W	250 mA	2700 K	4450 lm	3250 lm	125 lm/W	0.013 m <sup>3</sup>	5 kg
222830/3/... <sup>2</sup>	CUDDLE MINI LED REG 24	24 W	26 W	250 mA	3500 K	4650 lm	3400 lm	131 lm/W	0.013 m <sup>3</sup>	5 kg
222830/4/... <sup>2</sup>	CUDDLE MINI LED REG 24	24 W	26 W	250 mA	4000 K	4800 lm	3500 lm	135 lm/W	0.013 m <sup>3</sup>	5 kg
222830/6/... <sup>2</sup>	CUDDLE MINI LED REG 24	24 W	26 W	250 mA	5000 K	4750 lm	3450 lm	133 lm/W	0.013 m <sup>3</sup>	5 kg
222832/1/... <sup>2</sup>	CUDDLE MINI LED REG 36	36 W	39 W	375 mA	2700 K	6550 lm	4800 lm	123 lm/W	0.013 m <sup>3</sup>	5 kg
222832/3/... <sup>2</sup>	CUDDLE MINI LED REG 36	36 W	39 W	375 mA	3500 K	6850 lm	5000 lm	128 lm/W	0.013 m <sup>3</sup>	5 kg
222832/4/... <sup>2</sup>	CUDDLE MINI LED REG 36	36 W	39 W	375 mA	4000 K	7050 lm	5150 lm	132 lm/W	0.013 m <sup>3</sup>	5 kg
222832/6/... <sup>2</sup>	CUDDLE MINI LED REG 36	36 W	39 W	375 mA	5000 K	6950 lm	5050 lm	129 lm/W	0.013 m <sup>3</sup>	5 kg
222833/1/... <sup>2</sup>	CUDDLE MINI LED REG 48	48 W	54 W	500 mA	2700 K	8550 lm	6250 lm	116 lm/W	0.013 m <sup>3</sup>	5 kg
222833/3/... <sup>2</sup>	CUDDLE MINI LED REG 48	48 W	54 W	500 mA	3500 K	8950 lm	6500 lm	120 lm/W	0.013 m <sup>3</sup>	5 kg
222833/4/... <sup>2</sup>	CUDDLE MINI LED REG 48	48 W	54 W	500 mA	4000 K	9200 lm	6700 lm	124 lm/W	0.013 m <sup>3</sup>	5 kg
222833/6/... <sup>2</sup>	CUDDLE MINI LED REG 48	48 W	54 W	500 mA	5000 K	9050 lm	6600 lm	122 lm/W	0.013 m <sup>3</sup>	5 kg
222834/1/... <sup>2</sup>	CUDDLE MINI LED REG 60	60 W	67 W	625 mA	2700 K	10450 lm	7650 lm	114 lm/W	0.013 m <sup>3</sup>	5 kg
222834/3/... <sup>2</sup>	CUDDLE MINI LED REG 60	60 W	67 W	625 mA	3500 K	10950 lm	7950 lm	119 lm/W	0.013 m <sup>3</sup>	5 kg
222834/4/... <sup>2</sup>	CUDDLE MINI LED REG 60	60 W	67 W	625 mA	4000 K	11250 lm	8200 lm	122 lm/W	0.013 m <sup>3</sup>	5 kg
222834/6/... <sup>2</sup>	CUDDLE MINI LED REG 60	60 W	67 W	625 mA	5000 K	11050 lm	8050 lm	120 lm/W	0.013 m <sup>3</sup>	5 kg

1) tolerance +/- 5% due to LEDs accuracy

2) symbol of chosen optical system eg. 222833/6/T2 is CUDDLE MINI LED REG 48 5000K with T2 optical system

## DIRECTIVES AND STANDARDS

**DIRECTIVES:** 2014/35/UE (Official Journal of the UE L 96/357 29.03.2014), 2014/30/UE (Official Journal of the UE L 96/79 29.03.2014), 2011/65/UE, 2009/125/EC

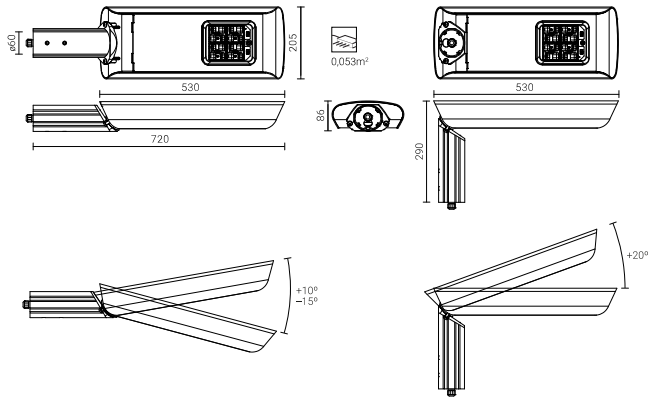
**STANDARDS:** PN-EN 60598-1: 2015, PN-EN 60598-2-3: 2006, PN-EN 60529: 2003, PN-EN 62262: 2003, PN-EN 62471:2010, PN-EN 55015: 2013, PN-EN 61547: 2009, PN-EN 61000-3-2: 2014, PN-EN 61000-3-3: 2013

## CHARGING DISCHARGE FROM THE LED LUMINAIRE HOUSING

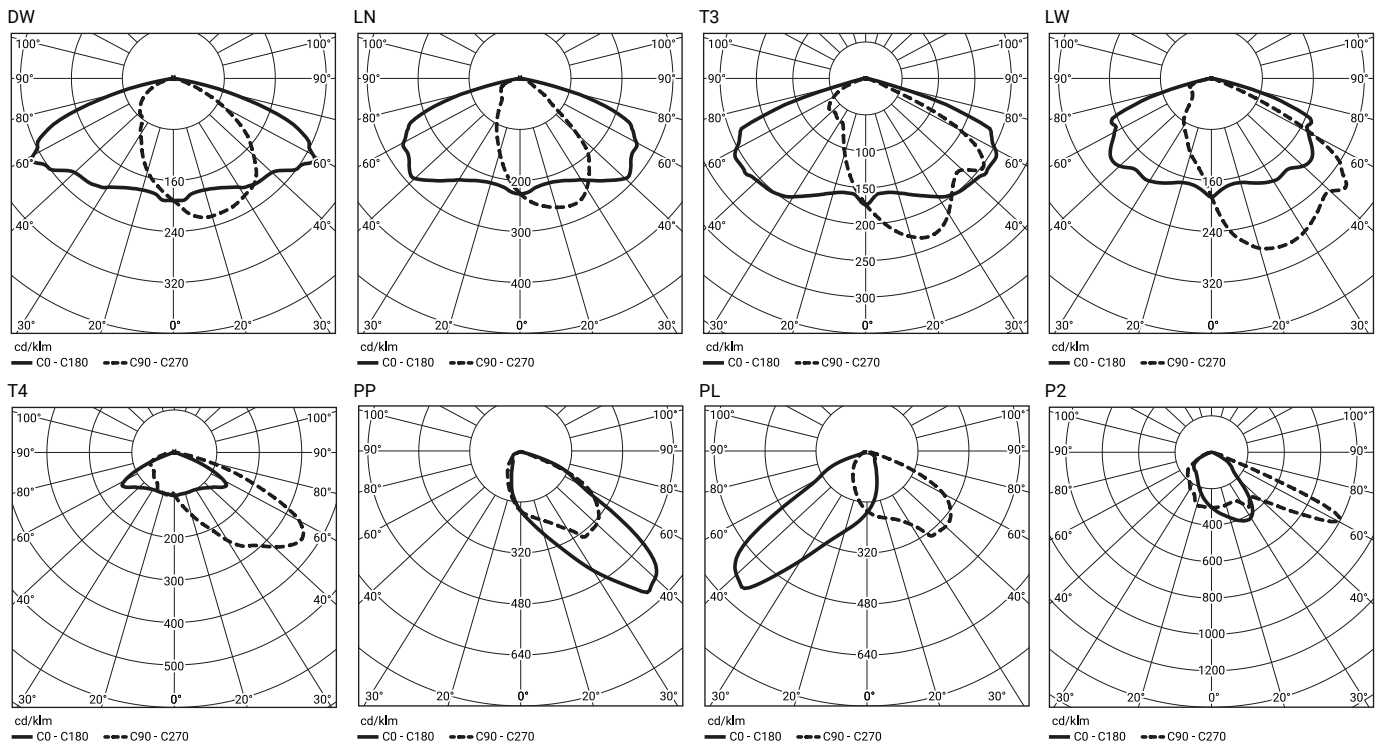
In order to efficient discharge the electrostatic charge from the housing of LED fitting installed on the pole from dielectric material (non-conductive) one of the following solutions is required:

- functional grounding
- LED luminaire with an additional protection device

## TECHNICAL DRAWING



## PHOTOMETRIC CURVES



## POWER SYSTEM FUNCTIONS

Luminaire in standard has following functions of intelligent power supply:

- Connection to outside control system by DALI interface (operation of analog signal 1-10V as an option),
- Possibility of programming multistage dimming of luminaire, up to 5 intervals in the range of from 10 to 100% of nominal power,
- Temperature protection of LED module (from overheating) in case of unintentional luminaire operation during the,
- Regulation of power / luminous flux – the option of setting another value than the catalogue in the range of 30-100% of nominal one,

## ACCEPTABLE QUANTITY OF LUMINAIRES ON ONE CIRCUIT

Overcurrent switches MCB type B or C

Luminaire	Typ	2A	4A	6A	10A	16A	20A	25A
CUDDLE MINI LED 24, 36W	B	4	7	12	18	30	37	46
	C	4	12	18	31	51	62	78
CUDDLE MINI LED 48W	B	1	2	4	6	10	12	15
	C	1	4	6	10	17	20	26
CUDDLE MINI LED 60W	B	4	8	13	20	33	41	51
	C	4	13	20	34	56	68	85

Fuse – type gG and GL

Luminaire	2A	4A	6A	10A	16A	20A	25A
CUDDLE MINI LED 24, 36W	1	10	20	26	52	71	101
CUDDLE MINI LED 48W	0	4	8	11	22	31	44
CUDDLE MINI LED 60W	0	2	4	5	11	16	22