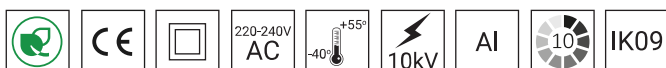




## TECHNICAL DATA

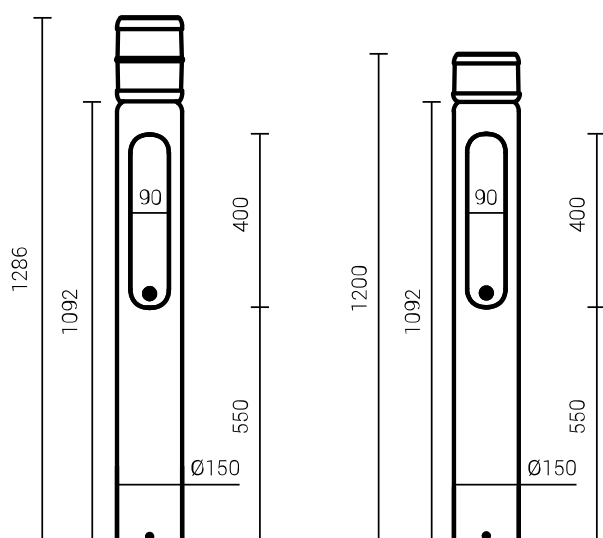
|                                 |   |
|---------------------------------|---|
| <b>Anodising</b>                | 10 colours  |
| <b>Diffuser</b>                 | transparent   |
| <b>Application</b>              | surrounding office buildings, parks, pedestrians  |
| <b>Ingress protection</b>       | IP 65 for the optical part and the driver   |
| <b>Material</b>                 | anodised aluminium alloy  |
| <b>Expected useful lifetime</b> | L80B20 – 100 000 h  |
| <b>CRI</b>                      | >70   |
| <b>Input voltage frequency</b>  | 50/60Hz   |
| <b>Power factor</b>             | ≥0.95   |
| <b>Number of LED</b>            | 64 (FLARE LED 1), 128 (FLARE LED 2)   |
| <b>Control system</b>           | LED lighting column has the possibility to connect to an external control system via DALI interface (optionally via analog signal 1-10V). |



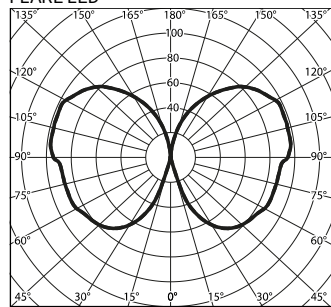
## TABLE OF TYPES

| Code         | Symbol      | Height of the column [H] | LED power | Luminaire power consumption | LED forward current | Colour temperature (CCT) | Luminaire luminous flux <sup>1</sup> | Luminous efficacy <sup>1</sup> | Unit volume          | Concrete footing / reinforcement basket type | Concrete footing / reinforcement basket code | Fasteners | Net weight |
|--------------|-------------|--------------------------|-----------|-----------------------------|---------------------|--------------------------|--------------------------------------|--------------------------------|----------------------|--|--|-----------|------------|
| 45280/3/C... | FLARE LED 1 | 1 200 mm                 | 14 W      | 16 W                        | 580 mA              | 3500 K                   | 750 lm                               | 54 lm/W                        | 0.027 m <sup>3</sup> | B-0A / Z-0A                                  | 311100A / 311200A                            | Fasteners | 8.5 kg     |
| 45280/6/C... | FLARE LED 1 | 1 200 mm                 | 14 W      | 16 W                        | 580 mA              | 5000 K                   | 750 lm                               | 54 lm/W                        | 0.027 m <sup>3</sup> | B-0A / Z-0A                                  | 311100A / 311200A                            | Fasteners | 8.5 kg     |
| 45281/3/C... | FLARE LED 2 | 1 286 mm                 | 20 W      | 22 W                        | 580 mA              | 3500 K                   | 1400 lm                              | 71 lm/W                        | 0.029 m <sup>3</sup> | B-0A / Z-0A                                  | 311100A / 311200A                            | Fasteners | 9 kg       |
| 45281/6/C... | FLARE LED 2 | 1 286 mm                 | 20 W      | 22 W                        | 580 mA              | 5000 K                   | 1400 lm                              | 71 lm/W                        | 0.029 m <sup>3</sup> | B-0A / Z-0A                                  | 311100A / 311200A                            | Fasteners | 9 kg       |

1) tolerance +/- 7% due to LEDs accuracy



FLARE LED



cd/klm  
 — C0 - C180    - - - C90 - C270

Overcurrent switches MCB type B or C

| Lighting columns | Typ | 2A | 4A | 6A | 10A | 16A | 20A | 25A |
|------------------|-----|----|----|----|-----|-----|-----|-----|
| FLARE LED        | B   | 3  | 6  | 10 | 16  | 26  | 32  | 40  |
|                  | C   | 3  | 10 | 16 | 27  | 44  | 54  | 67  |

Fuse – type gG and GL

| Lighting columns | 2A | 4A | 6A | 10A | 16A | 20A | 25A |
|------------------|----|----|----|-----|-----|-----|-----|
| FLARE LED        | 1  | 10 | 19 | 25  | 50  | 68  | 97  |