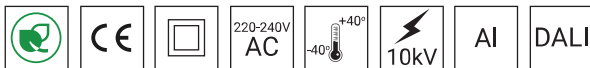




## TECHNICAL DATA

<b>Application</b>	parkings, industrial halls
<b>Assembly</b>	suspended or on WN type extension arms
<b>Colour</b>	inox / black
<b>Ingress protection</b>	IP 66 for the optical part and the driver
<b>Optical system</b>	PMMA optics, interchangeable LED module
<b>Material</b>	anodised aluminium alloy
<b>Expected useful lifetime</b>	L90B10 - 100 000 h
<b>CRI</b>	>70
<b>Input voltage frequency</b>	50/60Hz
<b>Power factor</b>	≥0.95
<b>Number of LED</b>	48
<b>Control system</b>	Luminaire has the possibility to connect to an external control system via DALI interface (optionally via analog signal 1- 10V).
<b>Windage</b>	depending on angular settings (0° - 0,08m ; 30° - 0,12m)



## TABLE OF TYPES

Code	Symbol	LED power	Luminaire power consumption	LED forward current	Colour temperature (CCT)	LEDs luminous flux <sup>1</sup>	Luminaire luminous flux <sup>1</sup>	Luminous efficacy <sup>1</sup>	Unit volume	Net weight
229041/1	ARTEMIS LED 144	144 W	154 W	1000 mA	2700 K	21400 lm	19250 lm	125 lm/W	0.022 m³	8.7 kg
229041/3	ARTEMIS LED 144	144 W	154 W	1000 mA	3500 K	22700 lm	20450 lm	133 lm/W	0.022 m³	8.7 kg
229041/4	ARTEMIS LED 144	144 W	154 W	1000 mA	4000 K	24200 lm	21800 lm	142 lm/W	0.022 m³	8.7 kg
229041/6	ARTEMIS LED 144	144 W	154 W	1000 mA	5000 K	24200 lm	21800 lm	142 lm/W	0.022 m³	8.7 kg

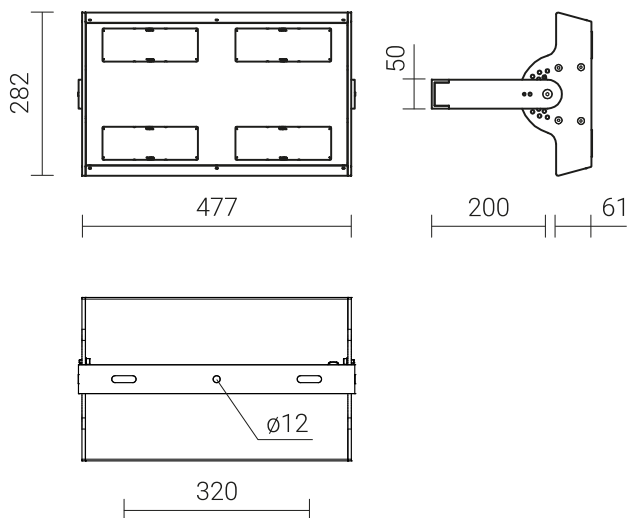
1) tolerance +/- 5% due to LEDs accuracy

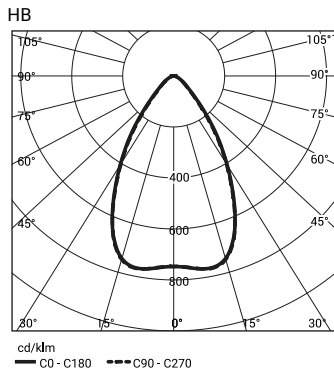
## DIRECTIVES AND STANDARDS

**DIRECTIVES:** 2014/35/UE (Official Journal of the UE L 96/357 29.03.2014), 2014/30/UE (Official Journal of the UE L 96/79 29.03.2014), 2011/65/UE, 2009/125/EC

**STANDARDS:** PN-EN IEC 60598-1: 2021-7, PN-EN 60598-2-3: 2006, PN-EN 60529: 2003, PN-EN 62262: 2003, PN-EN 62471:2010, PN-EN 55015: 2013, PN-EN 61547: 2009, PN-EN 61000-3-2: 2014, PN-EN 61000-3-3: 2013

## TECHNICAL DRAWING





**Luminaire in standard has following functions of intelligent power supply:**

- Connection to outside control system by DALI interface (operation of analog signal 1-10V as an option),
- Possibility of programming multistage dimming of luminaire, up to 5 intervals in the range of from 10 to 100% of nominal power,
- Temperature protection of LED module (from overheating) in case of unintentional luminaire operation during the,
- Regulation of power / luminous flux – the option of setting another value than the catalogue in the range of 30-100% of nominal one,

Overcurrent switches MCB type B or C

Luminaire	Typ	2A	4A	6A	10A	16A	20A	25A
ARTEMIS LED	B	1	2	3	5	8	10	12
	C	1	3	5	8	13	16	20

Fuse – type gG and GL

Luminaire	2A	4A	6A	10A	16A	20A	25A
ARTEMIS LED	0	3	6	8	17	23	29