

TECHNICAL DATA

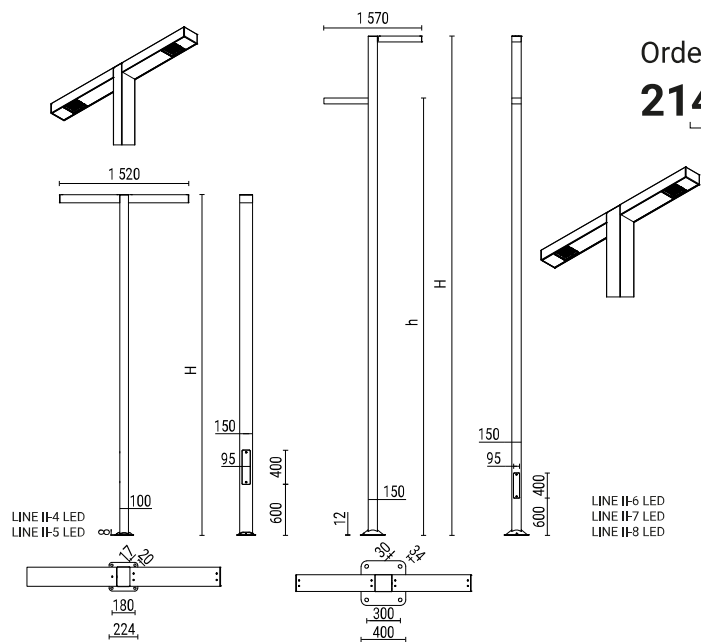
Anodising	10 colours
Application	urban roads, residential roads (internal), surrounding office buildings, parks, pedestrians, parkings
Ingress protection	IP 66 for the optical part and the driver
Optical system	PMMA optics, interchangeable LED module
Material	anodised aluminium alloy, diffuser – tempered glass
Expected useful lifetime	L90B10 - 100 000 h
CRI	>70
Input voltage frequency	50/60Hz
Power factor	≥0.95
Number of LED	16
Control system	LED lighting set has the possibility to connect to an external control system via DALI interface (optionally via analog signal 1-10V).



TABLE OF VARIANTS - HEIGHTS

Symbol	Height [H]	Dimension of the base plate (A)/[B]/[C]	Concrete footing / reinforcement basket type	Concrete footing / reinforcement basket code	Fasteners	Net weight	Approximate unit volume
LINE II LED	4 m	224 / 180 / 8	B-50 / Z-50	311150 / 311205	4006	34 kg	0.7 m ³
LINE II LED	5 m	224 / 180 / 8	B-50 / Z-50	311150 / 311205	4006	36 kg	1 m ³
LINE II LED	6 m	400 / 300 / 12	B-70, B-71 / Z-70, Z-71	311170, 311171 / 311207, 311271	4012	57.7 kg	1.2 m ³
LINE II LED	7 m	400 / 300 / 12	B-70, B-71 / Z-70, Z-71	311170, 311171 / 311207, 311271	4012	64.2 kg	1.4 m ³
LINE II LED	8 m	400 / 300 / 12	B-70, B-71 / Z-70, Z-71	311170, 311171 / 311207, 311271	4012	70.8 kg	1.6 m ³

HOW TO GENERATE VARIANT CODES



Order code

2140440/30/1/DW/30/1/T3/C45/10kV

Arm height #2 - h

40 - 4 m
50 - 5 m
60 - 6 m
70 - 7 m
80 - 8 m

Arm power variant #2

e.g. 30/1/DW is
LINE II LED 24, 2700K,
DW optics

Arm height #1 - H

40 - 4 m
50 - 5 m
60 - 6 m
70 - 7 m
80 - 8 m

Arm power variant #1

e.g. 30/1/DW is
LINE II LED 24, 2700K,
DW optics

TABLE OF VARIANTS - LIGHTING

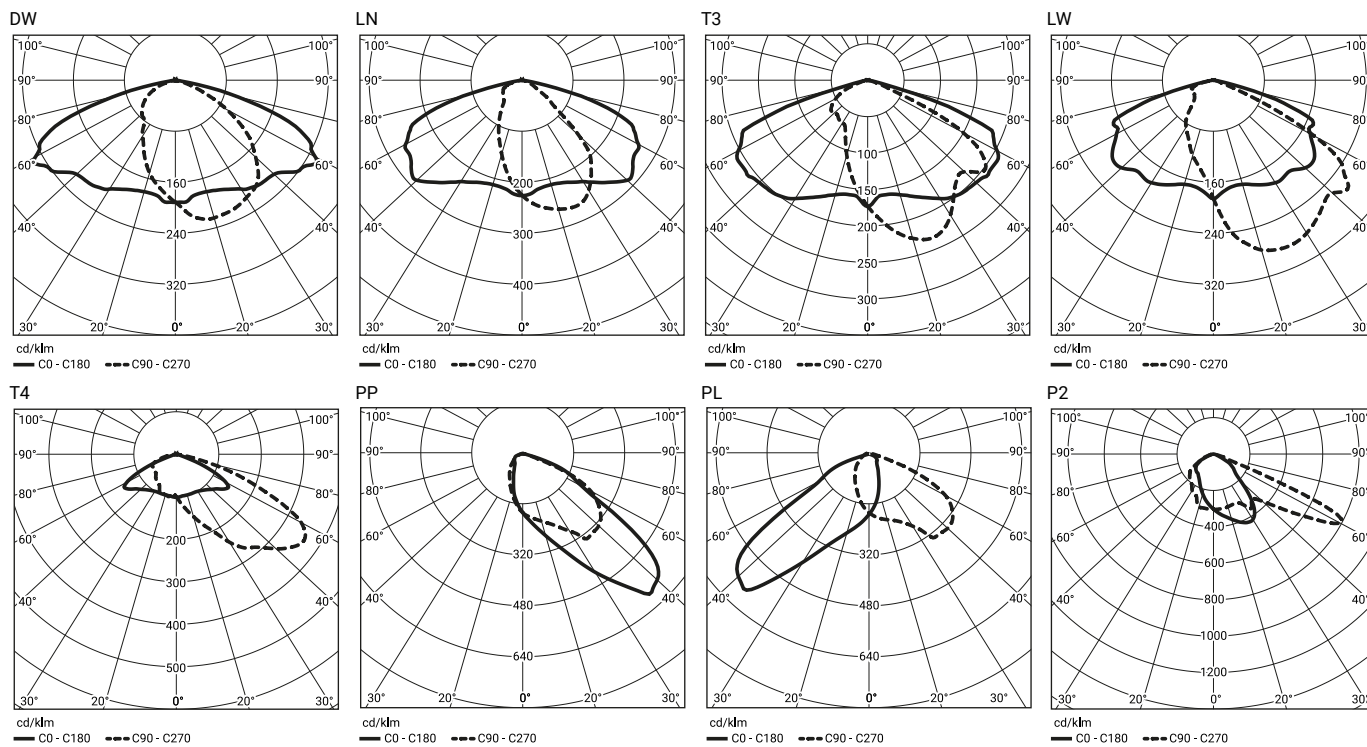
Code	Symbol	LED power	Luminaire Power consumption	LED forward current	Colour temperature (CCT)	LEDs luminous flux ¹	Luminaire luminous flux ¹	Luminous efficacy
30/1/...	LINE LED 24W	24 W	26 W	500 mA	2700 K	4450 lm	3250 lm	125 lm/W
30/3/...	LINE LED 24W	24 W	26 W	500 mA	3500 K	4650 lm	3400 lm	131 lm/W
30/4/...	LINE LED 24W	24 W	26 W	500 mA	4000 K	4800 lm	3500 lm	135 lm/W
30/6/...	LINE LED 24W	24 W	26 W	500 mA	5000 K	4750 lm	3450 lm	133 lm/W
32/1/...	LINE LED 36W	36 W	39 W	750 mA	2700 K	6550 lm	4800 lm	123 lm/W
32/3/...	LINE LED 36W	36 W	39 W	750 mA	3500 K	6850 lm	5000 lm	96 lm/W
32/4/...	LINE LED 36W	36 W	39 W	750 mA	4000 K	7050 lm	5150 lm	124 lm/W
32/6/...	LINE LED 36W	36 W	39 W	750 mA	5000 K	6950 lm	5050 lm	124 lm/W
33/1/...	LINE LED 48W	48 W	54 W	1000 mA	2700 K	8550 lm	6250 lm	92 lm/W
33/3/...	LINE LED 48W	48 W	54 W	1000 mA	3500 K	8950 lm	6500 lm	96 lm/W
33/4/...	LINE LED 48W	48 W	54 W	1000 mA	4000 K	9200 lm	6700 lm	124 lm/W
33/6/...	LINE LED 48W	48 W	54 W	1000 mA	5000 K	9050 lm	6600 lm	124 lm/W

1) tolerance +/- 5% due to LEDs accuracy

2) symbol of chosen optical system eg. 30/6/T2 is a bracket LINE I LED 24 with T2 optical system, 5000K

Directive: 2014/35/UE (Official Journal of the UE L 96/357 29.03.2014), 2014/30/UE (Official Journal of the UE L 96/79 29.03.2014), 2011/65/UE, 2009/125/EC **Finish:** option of elastomer protection in the colour of LED lighting sets up to the height of 350 mm (as standard for CI63, CI65, CI75, CI78 interference colors)

PHOTOMETRIC CURVES



POWER SYSTEM FUNCTIONS

Luminaire in standard has following functions of intelligent power supply:

- Connection to outside control system by DALI interface (operation of analog signal 1-10V as an option),
- Possibility of programming multistage dimming of luminaire, up to 5 intervals in the range of from 10 to 100% of nominal power,
- Temperature protection of LED module (from overheating) in case of unintentional luminaire operation during the,
- Regulation of power / luminous flux – the option of setting another value than the catalogue in the range of 30-100% of nominal one,