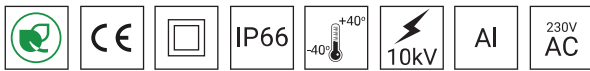




## TECHNICAL DATA

<b>Application</b>	parks, pedestrians, bicycle routes
<b>Assembly</b>	pole top mounted or on extension arms with $\varnothing$ 60 x 50 mm ending
<b>Ingress protection</b>	IP 66
<b>Material</b>	cap – formed anodised aluminium sheet inox / painted RAL 9005 black (upper part), RAL 9003 white (lower part) diffuser – transparent (PMMA) base – high-pressure die-casted aluminium alloy, painted RAL 9006 gray / RAL 9005 black
<b>Operating temperature range</b>	from -40°C to +40°C
<b>Expected useful lifetime</b>	L90B10 - 100 000 h
<b>CRI</b>	>70
<b>Input voltage frequency</b>	50/60Hz
<b>Power factor</b>	$\geq 0.9$
<b>Number of LED</b>	74



## TABLE OF TYPES

Code	Symbol	LED power	Luminaire power consumption	LED forward current	Colour temperature (CCT)	LEDs luminous flux <sup>1</sup>	Luminaire luminous flux <sup>1</sup>	Luminous efficacy <sup>1</sup>	Unit volume	Net weight
213563/1/... <sup>2</sup> /C45	AURIS LED inox	18 W	20 W	95 mA	2700 K	2800 lm	1750 lm	88 lm/W	0.06 m <sup>3</sup>	5 kg
213563/3/... <sup>2</sup> /C45	AURIS LED inox	18 W	20 W	95 mA	3500 K	3000 lm	1850 lm	93 lm/W	0.06 m <sup>3</sup>	5 kg
213563/4/... <sup>2</sup> /C45	AURIS LED inox	18 W	20 W	95 mA	4000 K	3000 lm	1850 lm	93 lm/W	0.06 m <sup>3</sup>	5 kg
213563/1/... <sup>2</sup>	AURIS LED czarny	18 W	20 W	95 mA	2700 K	2800 lm	1800 lm	90 lm/W	0.06 m <sup>3</sup>	5 kg
213563/3/... <sup>2</sup>	AURIS LED czarny	18 W	20 W	95 mA	3500 K	3000 lm	1950 lm	98 lm/W	0.06 m <sup>3</sup>	5 kg
213563/4/... <sup>2</sup>	AURIS LED czarny	18 W	20 W	95 mA	4000 K	3000 lm	1950 lm	98 lm/W	0.06 m <sup>3</sup>	5 kg

1) tolerance +/- 7% due to LEDs accuracy

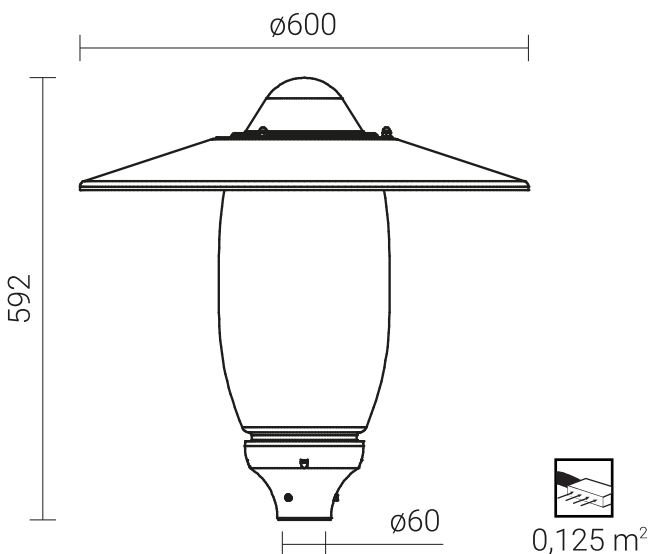
2) symbol of chosen optical system eg. 213563/3/A is AURIS LED 3500K with A optical system

## DIRECTIVES AND STANDARDS

**DIRECTIVES:** 2014/35/UE (Official Journal of the UE L 96/357 29.03.2014), 2014/30/UE (Official Journal of the UE L 96/79 29.03.2014), 2011/65/UE, 2009/125/EC

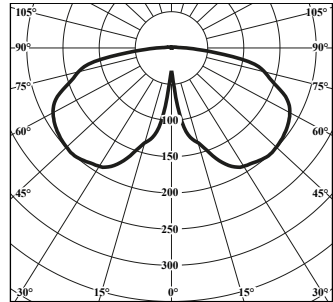
**STANDARDS:** PN-EN 60598-1: 2015, PN-EN 60598-2-3: 2006, PN-EN 60529: 2003, PN-EN 62262: 2003, PN-EN 62471:2010, PN-EN 55015: 2013, PN-EN 61547: 2009, PN-EN 61000-3-2: 2014, PN-EN 61000-3-3: 2013

## TECHNICAL DRAWING



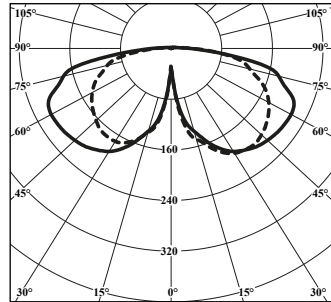
## PHOTOMETRIC CURVES

AURIS LED - S



cd/klm  
— C0 - C180

AURIS LED - A



cd/klm  
— C0 - C180    - - - C90 - C270

## POWER SYSTEM FUNCTIONS

The luminaire doesn't have the function of an intelligent power supply system as standard

## ACCECTABLE QUANTITY OF LUMINAIRES ON ONE CIRCUIT

Accetable quantity of luminaires AURIS LED on one circuit, protected by:

Overcurrent switches MCB type B or C

Luminaire	Typ	2A	4A	6A	10A	16A	20A	25A
AURIS LED	B	16	33	50	83	133	167	209
	C	16	33	50	83	133	167	209

Fuse – type gG and GL

Luminaire	2A	4A	6A	10A	16A	20A	25A
AURIS LED	16	33	50	83	133	167	209