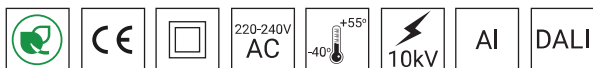




## TECHNICAL DATA

<b>Application</b>	residential roads (internal), surrounding office buildings, parks, pedestrians, parkings
<b>Colour</b>	grey / inox
<b>Ingress protection</b>	IP 66 for the optical part and the driver
<b>Optical system</b>	PMMA optics, interchangeable LED module
<b>Material</b>	anodised aluminium alloy
<b>Expected useful lifetime</b>	L90B10 - 100 000 h
<b>CRI</b>	>70
<b>Input voltage frequency</b>	50/60Hz
<b>Power factor</b>	≥0.95
<b>Number of LED</b>	12 (dla STICK LED 24 W), 24 (dla STICK LED 48 W), 2x12 (dla STICK II LED 24 W), 2x24 (dla STICK II LED 48 W), 3x12 (dla 24 W), 3x24 (dla 48 W), 4x12 (dla 24 W), 4x24 (dla 48 W),
<b>Control system</b>	LED lighting set has the possibility to connect to an external control system via DALI interface (optionally via analog signal 1-10V).



## TABLE OF TYPES

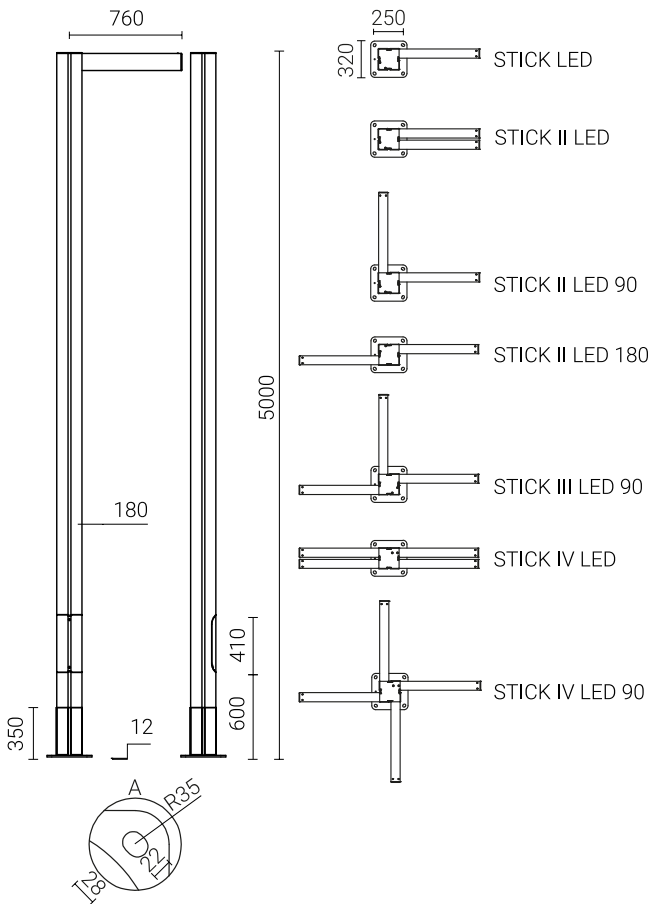
Code	Symbol	Height of the column [H]	LED power	Luminaire power consumption	LED forward current	Colour temperature (CCT)	LEDs luminous flux <sup>1</sup>	Luminaire luminous flux <sup>1</sup>	Luminous efficacy <sup>1</sup>	Unit volume	Concrete footing / reinforcement type	Fasteners	Net weight
217030/1/... <sup>2</sup>	STICK LED 24	5 m	24 W	28 W	700 mA	2700 K	3600 lm	2900 lm	104 lm/W	1.1 m <sup>3</sup>	B-60 / Z-60	4008	61 kg
217030/3/... <sup>2</sup>	STICK LED 24	5 m	24 W	28 W	700 mA	3500 K	3700 lm	3000 lm	107 lm/W	1.1 m <sup>3</sup>	B-60 / Z-60	4008	61 kg
217030/4/... <sup>2</sup>	STICK LED 24	5 m	24 W	28 W	700 mA	4000 K	4350 lm	3500 lm	125 lm/W	1.1 m <sup>3</sup>	B-60 / Z-60	4008	61 kg
217030/6/... <sup>2</sup>	STICK LED 24	5 m	24 W	28 W	700 mA	5000 K	4350 lm	3500 lm	125 lm/W	1.1 m <sup>3</sup>	B-60 / Z-60	4008	61 kg
217033/1/... <sup>2</sup>	STICK LED 48	5 m	48 W	55 W	700 mA	2700 K	7050 lm	5700 lm	104 lm/W	1.1 m <sup>3</sup>	B-60 / Z-60	4008	61 kg
217033/3/... <sup>2</sup>	STICK LED 48	5 m	48 W	55 W	700 mA	3500 K	7350 lm	5950 lm	108 lm/W	1.1 m <sup>3</sup>	B-60 / Z-60	4008	61 kg
217033/4/... <sup>2</sup>	STICK LED 48	5 m	48 W	55 W	700 mA	4000 K	8650 lm	6950 lm	124 lm/W	1.1 m <sup>3</sup>	B-60 / Z-60	4008	61 kg
217033/6/... <sup>2</sup>	STICK LED 48	5 m	48 W	55 W	700 mA	5000 K	8650 lm	6950 lm	126 lm/W	1.1 m <sup>3</sup>	B-60 / Z-60	4008	61 kg
217130/1/... <sup>2</sup>	STICK II LED 24	5 m	24 W x 2	28 W x 2	700 mA	2700 K	3600 lm x 2	2900 lm x 2	104 lm/W	1.1 m <sup>3</sup>	B-60 / Z-60	4008	67 kg
217130/3/... <sup>2</sup>	STICK II LED 24	5 m	24 W x 2	28 W x 2	700 mA	3500 K	3700 lm x 2	3000 lm x 2	107 lm/W	1.1 m <sup>3</sup>	B-60 / Z-60	4008	67 kg
217130/4/... <sup>2</sup>	STICK II LED 24	5 m	24 W x 2	28 W x 2	700 mA	4000 K	4350 lm x 2	3500 lm x 2	125 lm/W	1.1 m <sup>3</sup>	B-60 / Z-60	4008	67 kg
217130/6/... <sup>2</sup>	STICK II LED 24	5 m	24 W x 2	28 W x 2	700 mA	5000 K	4350 lm x 2	3500 lm x 2	125 lm/W	1.1 m <sup>3</sup>	B-60 / Z-60	4008	67 kg
217133/1/... <sup>2</sup>	STICK II LED 48	5 m	48 W x 2	55 W x 2	700 mA	2700 K	7050 lm x 2	5700 lm x 2	104 lm/W	1.1 m <sup>3</sup>	B-60 / Z-60	4008	67 kg
217133/3/... <sup>2</sup>	STICK II LED 48	5 m	48 W x 2	55 W x 2	700 mA	3500 K	7350 lm x 2	5950 lm x 2	108 lm/W	1.1 m <sup>3</sup>	B-60 / Z-60	4008	67 kg
217133/4/... <sup>2</sup>	STICK II LED 48	5 m	48 W x 2	55 W x 2	700 mA	4000 K	8650 lm x 2	6950 lm x 2	126 lm/W	1.1 m <sup>3</sup>	B-60 / Z-60	4008	67 kg
217133/6/... <sup>2</sup>	STICK II LED 48	5 m	48 W x 2	55 W x 2	700 mA	5000 K	8650 lm x 2	6950 lm x 2	126 lm/W	1.1 m <sup>3</sup>	B-60 / Z-60	4008	67 kg
217230/1/... <sup>2</sup>	STICK II LED 90 24	5 m	24 W x 2	28 W x 2	700 mA	2700 K	3600 lm x 2	2900 lm x 2	104 lm/W	1.1 m <sup>3</sup>	B-60 / Z-60	4008	67 kg
217230/3/... <sup>2</sup>	STICK II LED 90 24	5 m	24 W x 2	28 W x 2	700 mA	3500 K	3700 lm x 2	3000 lm x 2	107 lm/W	1.1 m <sup>3</sup>	B-60 / Z-60	4008	67 kg
217230/4/... <sup>2</sup>	STICK II LED 90 24	5 m	24 W x 2	28 W x 2	700 mA	4000 K	4350 lm x 2	3500 lm x 2	125 lm/W	1.1 m <sup>3</sup>	B-60 / Z-60	4008	67 kg
217230/6/... <sup>2</sup>	STICK II LED 90 24	5 m	24 W x 2	28 W x 2	700 mA	5000 K	4350 lm x 2	3500 lm x 2	125 lm/W	1.1 m <sup>3</sup>	B-60 / Z-60	4008	67 kg
217233/1/... <sup>2</sup>	STICK II LED 90 48	5 m	48 W x 2	55 W x 2	700 mA	2700 K	7050 lm x 2	5700 lm x 2	104 lm/W	1.1 m <sup>3</sup>	B-60 / Z-60	4008	67 kg
217233/3/... <sup>2</sup>	STICK II LED 90 48	5 m	48 W x 2	55 W x 2	700 mA	3500 K	7350 lm x 2	5950 lm x 2	108 lm/W	1.1 m <sup>3</sup>	B-60 / Z-60	4008	67 kg
217233/4/... <sup>2</sup>	STICK II LED 90 48	5 m	48 W x 2	55 W x 2	700 mA	4000 K	8650 lm x 2	6950 lm x 2	125 lm/W	1.1 m <sup>3</sup>	B-60 / Z-60	4008	67 kg

217233/7/... <sup>2</sup>	STICK II LED 90 70	5 m	48 W x 2	55 W x 2	700 mA	7000 K	x 2	2	120 lm/W	1.1 m <sup>3</sup>	B-60 / Z-60	4008	67 kg
217233/6/... <sup>2</sup>	STICK II LED 90 48	5 m	48 W x 2	55 W x 2	700 mA	5000 K	8650 lm x 2	6950 lm x 2	125 lm/W	1.1 m <sup>3</sup>	B-60 / Z-60	4008	67 kg
217330/1/... <sup>2</sup>	STICK II LED 180 24	5 m	24 W x 2	28 W x 2	700 mA	2700 K	3600 lm x 2	2900 lm x 2	104 lm/W	1.1 m <sup>3</sup>	B-60 / Z-60	4008	62 kg
217330/3/... <sup>2</sup>	STICK II LED 180 24	5 m	24 W x 2	28 W x 2	700 mA	3500 K	3700 lm x 2	3000 lm x 2	107 lm/W	1.1 m <sup>3</sup>	B-60 / Z-60	4008	67 kg
217330/4/... <sup>2</sup>	STICK II LED 180 24	5 m	24 W x 2	28 W x 2	700 mA	4000 K	4350 lm x 2	3500 lm x 2	125 lm/W	1.1 m <sup>3</sup>	B-60 / Z-60	4008	67 kg
217330/6/... <sup>2</sup>	STICK II LED 180 24	5 m	24 W x 2	28 W x 2	700 mA	5000 K	4350 lm x 2	3500 lm x 2	125 lm/W	1.1 m <sup>3</sup>	B-60 / Z-60	4008	67 kg
217333/1/... <sup>2</sup>	STICK II LED 180 48	5 m	48 W x 2	55 W x 2	700 mA	2700 K	7050 lm x 2	5700 lm x 2	104 lm/W	1.1 m <sup>3</sup>	B-60 / Z-60	4008	67 kg
217333/3/... <sup>2</sup>	STICK II LED 180 48	5 m	48 W x 2	55 W x 2	700 mA	3500 K	7350 lm x 2	5950 lm x 2	108 lm/W	1.1 m <sup>3</sup>	B-60 / Z-60	4008	67 kg
217333/4/... <sup>2</sup>	STICK II LED 180 48	5 m	48 W x 2	55 W x 2	700 mA	4000 K	8650 lm x 2	6950 lm x 2	126 lm/W	1.1 m <sup>3</sup>	B-60 / Z-60	4008	67 kg
217333/6/... <sup>2</sup>	STICK II LED 180 48	5 m	48 W x 2	55 W x 2	700 mA	5000 K	8650 lm x 2	6950 lm x 2	126 lm/W	1.1 m <sup>3</sup>	B-60 / Z-60	4008	67 kg
217430/1/... <sup>2</sup>	STICK III LED 90-90 24	5 m	24 W x 3	28 W x 3	700 mA	2700 K	3600 lm x 3	2900 lm x 3	104 lm/W	1.1 m <sup>3</sup>	B-60 / Z-60	4008	73 kg
217430/3/... <sup>2</sup>	STICK III LED 90-90 24	5 m	24 W x 3	28 W x 3	700 mA	3500 K	3700 lm x 3	3000 lm x 3	107 lm/W	1.1 m <sup>3</sup>	B-60 / Z-60	4008	73 kg
217430/4/... <sup>2</sup>	STICK III LED 90-90 24	5 m	24 W x 3	28 W x 3	700 mA	4000 K	4350 lm x 3	3500 lm x 3	125 lm/W	1.1 m <sup>3</sup>	B-60 / Z-60	4008	73 kg
217430/6/... <sup>2</sup>	STICK III LED 90-90 24	5 m	24 W x 3	28 W x 3	700 mA	5000 K	4350 lm x 3	3500 lm x 3	125 lm/W	1.1 m <sup>3</sup>	B-60 / Z-60	4008	73 kg
217433/1/... <sup>2</sup>	STICK III LED 90-90 48	5 m	48 W x 3	55 W x 3	700 mA	2700 K	7050 lm x 3	5700 lm x 3	104 lm/W	1.1 m <sup>3</sup>	B-60 / Z-60	4008	73 kg
217433/3/... <sup>2</sup>	STICK III LED 90-90 48	5 m	48 W x 3	55 W x 3	700 mA	3500 K	7350 lm x 3	5950 lm x 3	108 lm/W	1.1 m <sup>3</sup>	B-60 / Z-60	4008	73 kg
217433/4/... <sup>2</sup>	STICK III LED 90-90 48	5 m	48 W x 3	55 W x 3	700 mA	4000 K	8650 lm x 3	6950 lm x 3	126 lm/W	1.1 m <sup>3</sup>	B-60 / Z-60	4008	73 kg
217433/6/... <sup>2</sup>	STICK III LED 90-90 48	5 m	48 W x 3	55 W x 3	700 mA	5000 K	8650 lm x 3	6950 lm x 3	126 lm/W	1.1 m <sup>3</sup>	B-60 / Z-60	4008	73 kg
217630/1/... <sup>2</sup>	STICK IV LED 24	5 m	24	28 W x 4	700 mA	2700 K	3600 lm x 4	2900 lm x 4	104 lm/W	1.1 m <sup>3</sup>	B-60 / Z-60	4008	79 kg
217630/3/... <sup>2</sup>	STICK IV LED 24	5 m	24	28 W x 4	700 mA	3500 K	3700 lm x 4	3000 lm x 4	107 lm/W	1.1 m <sup>3</sup>	B-60 / Z-60	4008	79 kg
217630/4/... <sup>2</sup>	STICK IV LED 24	5 m	24	28 W x 4	700 mA	4000 K	4350 lm x 4	3500 lm x 4	125 lm/W	1.1 m <sup>3</sup>	B-60 / Z-60	4008	79 kg
217630/6/... <sup>2</sup>	STICK IV LED 24	5 m	24	28 W x 4	700 mA	5000 K	4350 lm x 4	3500 lm x 4	125 lm/W	1.1 m <sup>3</sup>	B-60 / Z-60	4008	79 kg
217633/1/... <sup>2</sup>	STICK IV LED 48	5 m	48	55 W x 4	700 mA	2700 K	7050 lm x 4	5700 lm x 4	104 lm/W	1.1 m <sup>3</sup>	B-60 / Z-60	4008	79 kg
217633/3/... <sup>2</sup>	STICK IV LED 48	5 m	48	55 W x 4	700 mA	3500 K	7350 lm x 4	5950 lm x 4	108 lm/W	1.1 m <sup>3</sup>	B-60 / Z-60	4008	79 kg
217633/4/... <sup>2</sup>	STICK IV LED 48	5 m	48	55 W x 4	700 mA	4000 K	8650 lm x 4	6950 lm x 4	126 lm/W	1.1 m <sup>3</sup>	B-60 / Z-60	4008	79 kg
217633/6/... <sup>2</sup>	STICK IV LED 48	5 m	48	55 W x 4	700 mA	5000 K	8650 lm x 4	6950 lm x 4	126 lm/W	1.1 m <sup>3</sup>	B-60 / Z-60	4008	79 kg
217730/1/... <sup>2</sup>	STICK IV LED 90 24	5 m	24	28 W x 4	700 mA	2700 K	3600 lm x 4	2900 lm x 4	104 lm/W	1.1 m <sup>3</sup>	B-60 / Z-60	4008	79 kg
217730/3/... <sup>2</sup>	STICK IV LED 90 24	5 m	24	28 W x 4	700 mA	3500 K	3700 lm x 4	3000 lm x 4	107 lm/W	1.1 m <sup>3</sup>	B-60 / Z-60	4008	79 kg
217730/4/... <sup>2</sup>	STICK IV LED 90 24	5 m	24	28 W x 4	700 mA	4000 K	4350 lm x 4	3500 lm x 4	125 lm/W	1.1 m <sup>3</sup>	B-60 / Z-60	4008	79 kg
217730/6/... <sup>2</sup>	STICK IV LED 90 24	5 m	24	28 W x 4	700 mA	5000 K	4350 lm x 4	3500 lm x 4	125 lm/W	1.1 m <sup>3</sup>	B-60 / Z-60	4008	79 kg
217733/1/... <sup>2</sup>	STICK IV LED 90 48	5 m	48	55 W x 4	700 mA	2700 K	7050 lm x 4	5700 lm x 4	104 lm/W	1.1 m <sup>3</sup>	B-60 / Z-60	4008	79 kg
217733/3/... <sup>2</sup>	STICK IV LED 90 48	5 m	48	55 W x 4	700 mA	3500 K	7350 lm x 4	5950 lm x 4	108 lm/W	1.1 m <sup>3</sup>	B-60 / Z-60	4008	79 kg
217733/4/... <sup>2</sup>	STICK IV LED 90 48	5 m	48	55 W x 4	700 mA	4000 K	8650 lm x 4	6950 lm x 4	126 lm/W	1.1 m <sup>3</sup>	B-60 / Z-60	4008	79 kg
217733/6/... <sup>2</sup>	STICK IV LED 90 48	5 m	48	55 W x 4	700 mA	5000 K	8650 lm x 4	6950 lm x 4	126 lm/W	1.1 m <sup>3</sup>	B-60 / Z-60	4008	79 kg

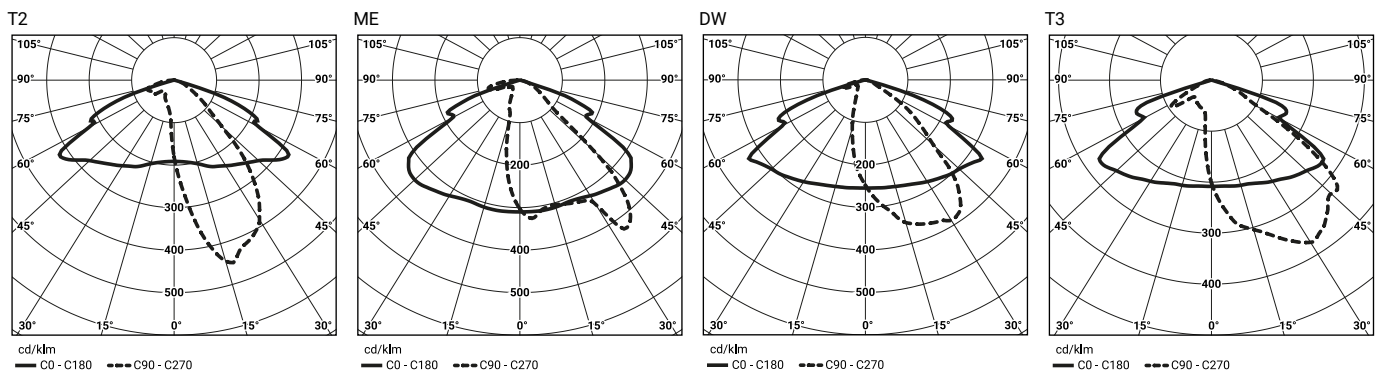
1) tolerance +/- 5% due to LEDs accuracy

2) symbol of chosen optical system eg. 217030/3/T2 is a bracket STICK LED 24 3500K with T2 optical system

## TECHNICAL DRAWING



## PHOTOMETRIC CURVES



## POWER SYSTEM FUNCTIONS

### Luminaire in standard has following functions of intelligent power supply:

- Connection to outside control system by DALI interface (operation of analog signal 1-10V as an option),
- Possibility of programming multistage dimming of luminaire, up to 5 intervals in the range of from 10 to 100% of nominal power,
- Temperature protection of LED module (from overheating) in case of unintentional luminaire operation during the,
- Regulation of power / luminous flux – the option of setting another value than the catalogue in the range of 30-100% of nominal one,

Overcurrent switches MCB type B or C

Lighting set	Typ	2A	4A	6A	10A	16A	20A	25A
STICK LED 24	B	3	6	10	16	26	32	40
	C	3	10	16	27	44	54	67
STICK II LED 24 STICK LED 48 STICK III LED 24	B	1	2	4	6	11	13	17
	C	1	4	6	11	18	22	28
STICK II LED 48 STICK III LED 48 STICK IV LED 24	B	1	2	3	5	8	10	12
	C	1	3	5	8	13	16	20
STICK IV LED 48	B	0	1	1	2	4	5	6
	C	0	1	2	4	6	8	10

Overcurrent switches MCB type B or C

Lighting set	2A	4A	6A	10A	16A	20A	25A
STICK LED 24	1	10	19	25	50	68	97
STICK II LED 24 STICK LED 48 STICK III LED 24	0	4	8	11	21	29	42
STICK II LED 48 STICK IV LED 24	0	3	6	8	17	23	33
STICK III LED 48	0	3	6	8	17	22	27
STICK IV LED 48	0	1	3	4	8	11	16