

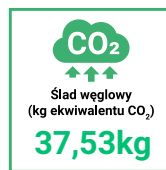


**Anodising:** 10 colours, each with possibility of chemical brightening

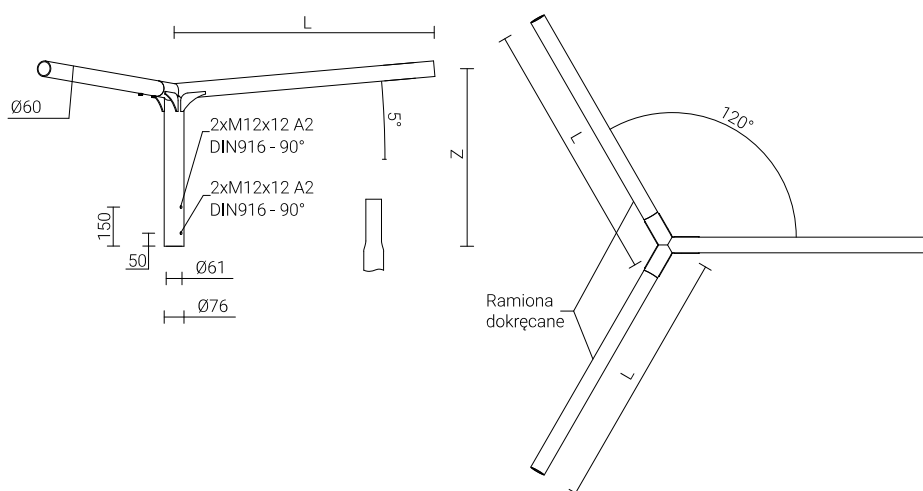
**Finish:** grinded, anodised aluminium

**Packing:** sleeve material

**CE certificate :** valid for use on poles manufactured by ROSA company



Code	Symbol	Purpose	Number of arms	Outreach length - L	Height of extension arm - Z	Extension arm effective projected area	Approximate unit volume	Luminaire mounting diameter	Waga netto
<b>47219311</b>	WRP 3/1,0/0,7/5	–	3	1m	0,68m	0,156m <sup>2</sup>	0,09m <sup>3</sup>	ø60mm	8kg
<b>47219312</b>	WRP 3/1,0/1,2/5	–	3	1m	1,18m	0,194m <sup>2</sup>	0,16m <sup>3</sup>	ø60mm	9,6kg
<b>47219321</b>	WRP 3/1,5/0,7/5	–	3	1,5m	0,68m	0,208m <sup>2</sup>	0,13m <sup>3</sup>	ø60mm	10,4kg
<b>47219322</b>	WRP 3/1,5/1,2/5	–	3	1,5m	1,18m	0,246m <sup>2</sup>	0,21m <sup>3</sup>	ø60mm	12kg



Cradle to Cradle Certified® is a registered trademark of the Cradle to Cradle Products Innovation Institute.