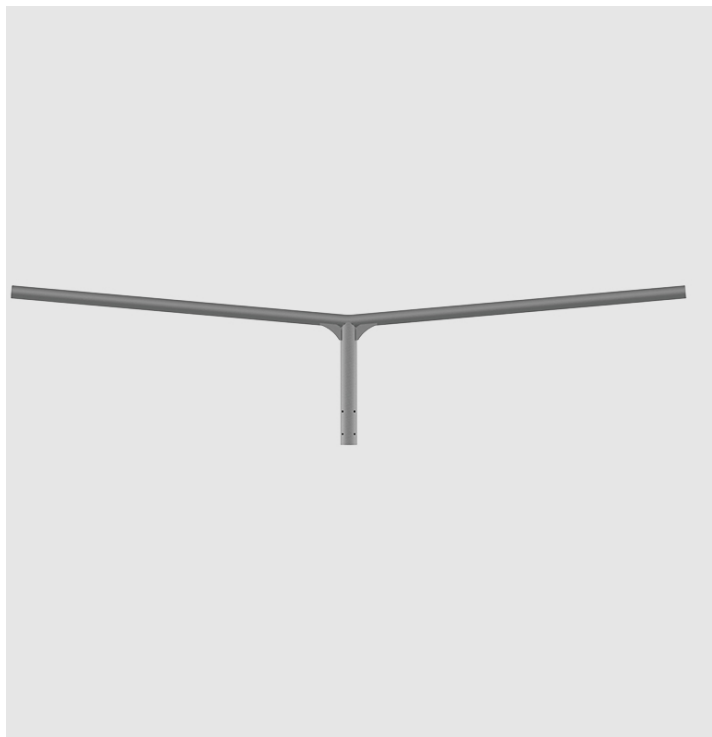


Aluminium extension arms WRP 2

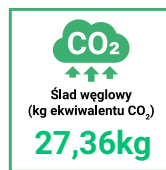


Anodising: 10 colours, each with possibility of chemical brightening

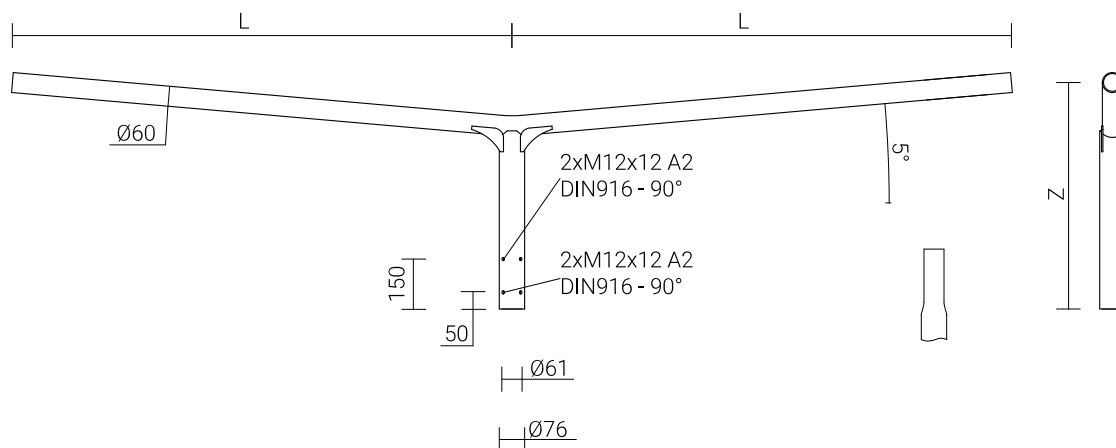
Finish: grinded, anodised aluminium

Packing: sleeve material

CE certificate : valid for use on poles manufactured by ROSA company



Code	Symbol	Purpose	Number of arms	Outreach length - L	Height of extension arm - Z	Extension arm effective projected area	Approximate unit volume	Luminaire mounting diameter	Waga netto
47219211	WRP 2/1,0/0,7/5	–	2	1m	0,68m	0,163m ²	0,09m ³	ø60mm	5,4kg
47219212	WRP 2/1,0/1,2/5	–	2	1m	1,18m	0,196m ²	0,11m ³	ø60mm	7kg
47219221	WRP 2/1,5/0,7/5	–	2	1,5m	0,68m	0,221m ²	0,11m ³	ø60mm	6,9kg
47219222	WRP 2/1,5/1,2/5	–	2	1,5m	1,18m	0,259m ²	0,17m ³	ø60mm	8,5kg



Cradle to Cradle Certified® is a registered trademark of the Cradle to Cradle Products Innovation Institute.