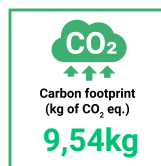


Anodising: 10 colours, each with possibility of chemical brightening

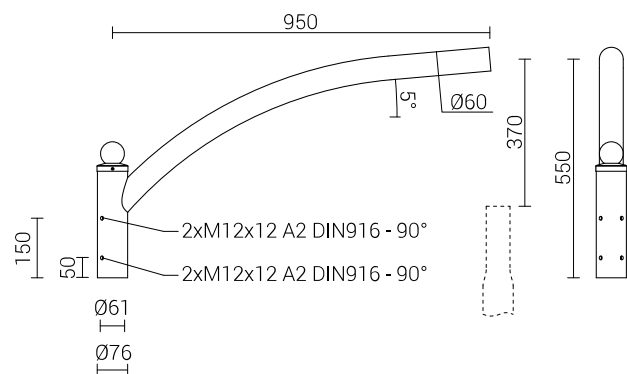
Finish: grinded, anodised aluminium

Packing: sleeve material

CE: the extension arm with the pole make a set - for extension arms, the Declaration of Performance applies to the pole on which extension arms is mounted.



| Code | Symbol | Purpose | Number of arms | Extension arm effective projected area | Approximate unit volume | Luminaire mounting diameter | Weight |
|--------|---------------|---------|----------------|--|-------------------------|-----------------------------|--------|
| 472021 | WR-2/1/0,95/5 | — | 1 | 0,023m ² | 0,085m ³ | ø60 x 100mm | 2,8kg |



Cradle to Cradle Certified® is a registered trademark of the Cradle to Cradle Products Innovation Institute.