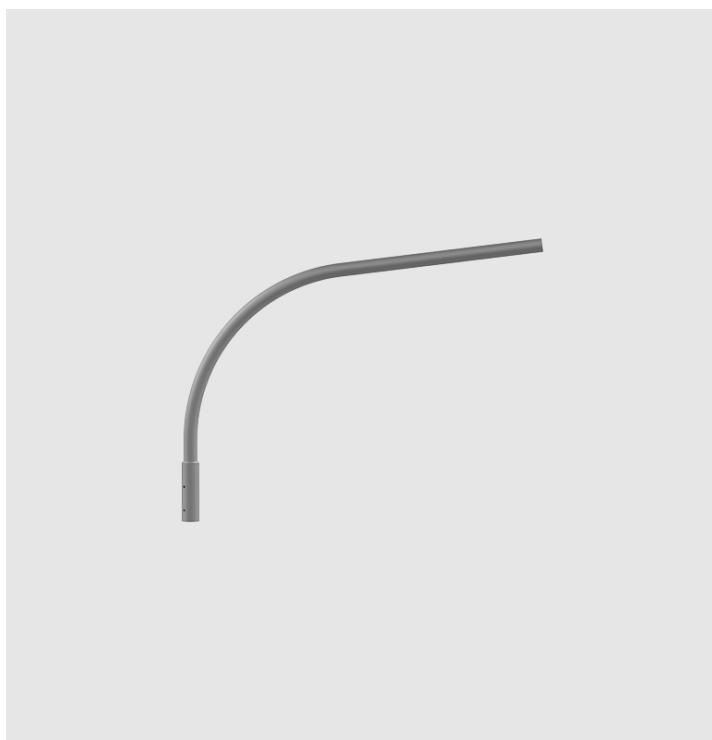


# Aluminium extension arms WR-14/1/1,5/5

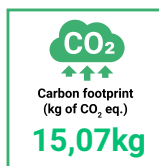


**Anodising:** 10 colours, each with possibility of chemical brightening

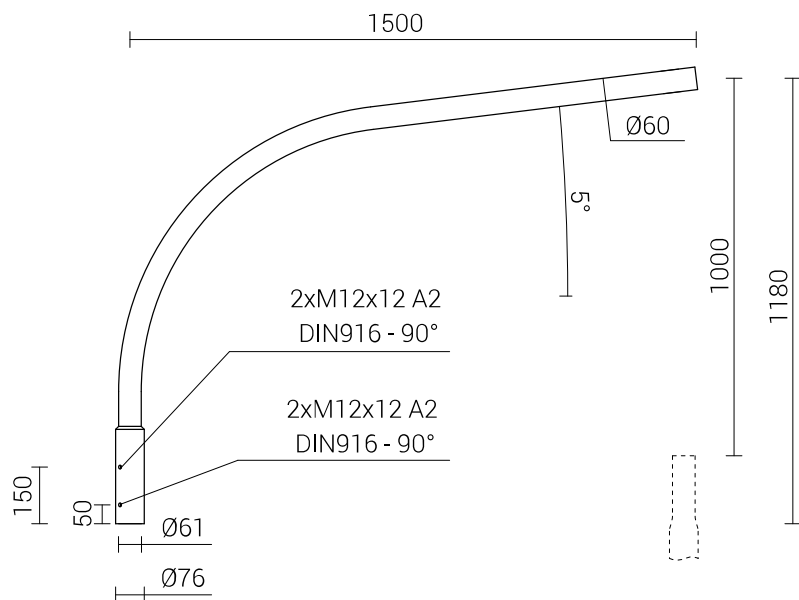
**Finish:** grinded, anodised aluminium

**Packing:** sleeve material

**CE:** the extension arm with the pole make a set - for extension arms, the Declaration of Performance applies to the pole on which extension arms is mounted.



| Code     | Symbol        | Purpose | Number of arms | Extension arm effective projected area | Approximate unit volume | Luminaire mounting diameter | Weight |
|----------|---------------|---------|----------------|--|-------------------------|-----------------------------|--------|
| 47214115 | WR-14/1/1,5/5 | –       | 1              | 0,14m <sup>2</sup>                     | 0,066m <sup>3</sup>     | ø60 x 100mm                 | 4,4kg  |



Cradle to Cradle Certified® is a registered trademark of the Cradle to Cradle Products Innovation Institute.