



Application: parks, pedestrians, residential roads (internal), surrounding office buildings

Ingress protection: IP 65 for the optical part and the driver

Material: anodised aluminium alloy

Color: 10 colours, each with possibility of chemical brightening

Optical system: diffuser: opal white made of UV resistant PC, aluminium decorative elements

Number of LEDs: 24 for 48W

Operating temperature range: from -40°C to +55°C

Expected useful lifetime: L90F10 – 50 000 h, L80F20 – 100 000 h

CRI: >80 for 2700K, 3500K; >70 for 4000K, 5000K

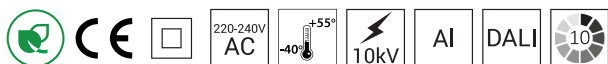
Input voltage frequency: 50/60Hz

Power factor: ≥ 0.95

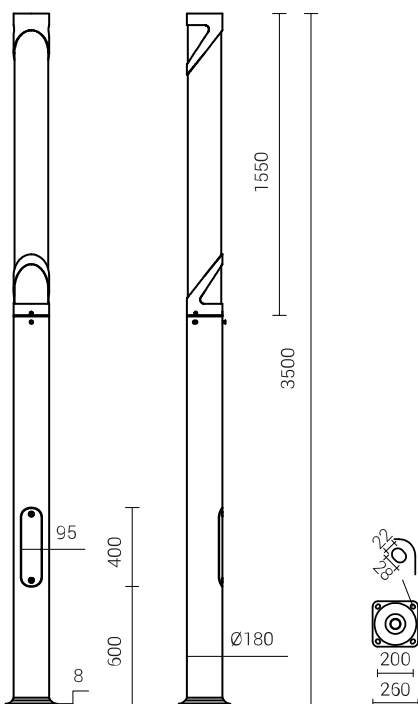
Inrush current: : 43A / 260us

Concrete footing / reinforcement basket type: B-51 / Z-51

Lighting set SAL DECO-3 LED has the possibility to connect to an external control system via DALI interface (optionally via analog signal 1- 10V).



Code	Symbol	Height [H]	LED power	Luminaire power consumption	LED forward current	Colour temperature (CCT)	Luminous flux ¹⁾	Luminous efficacy	Unit volume	Total net weight
42923/1/C...	SAL DECO-3 LED	3500mm	48W	55W	700mA	2700K	3350lm	61lm/W	0,12m ³	28kg
42923/3/C...	SAL DECO-3 LED	3500mm	48W	55W	700mA	3500K	3550lm	65lm/W	0,12m ³	28kg
42923/4/C...	SAL DECO-3 LED	3500mm	48W	55W	700mA	4000K	4400lm	80lm/W	0,12m ³	28kg
42923/6/C...	SAL DECO-3 LED	3500mm	48W	55W	700mA	5000K	4400lm	80lm/W	0,12m ³	28kg

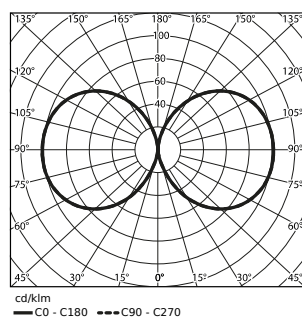


C... - choice of anodising colour

1) tolerance +/- 5% due to LEDs accuracy

Directive: 2014/35/UE (Official Journal of the UE L 96/357 29.03.2014), 2014/30/UE (Official Journal of the UE L 96/79 29.03.2014), 2011/65/UE, 2009/125/EC

Product can be anodized in 10 colours, with gloss option



Lighting set SAL DECO-3 LED in standard has following functions of intelligent power supply:

- Connection to outside control system by DALI interface (operation of analog signal 1-10V as an option),

- Possibility of programming multistage dimming of luminaire, up to 5 intervals in the range of from 10 to 100% of nominal power,
- Temperature protection of LED module (from overheating) in case of unintentional luminaire operation during the,
- Regulation of power / luminous flux – the option of setting another value than the catalogue in the range of 30-100% of nominal one,

Acceptable quantity of lighting set SAL DECO-3 LED on one circuit, protected by:

Overcurrent switches MCB type B or C

Lighting set	Typ	2A	4A	6A	10A	16A	20A	25A
SAL DECO-3 LED	B	1	2	4	6	10	12	15
	C	1	4	6	10	17	20	26

Fuse – type gG and GL

Lighting set	2A	4A	6A	10A	16A	20A	25A
SAL DECO-3 LED	0	4	8	11	22	31	44