



Installation: surrounding office buildings, parks, pedestrians

Ingress protection: IP 65

Material: anodised aluminium alloy

Anodising: 10 colours, each with possibility of chemical brightening

Number of LEDs: 1

Diffuser: transparen

Operating temperature range: from -40°C to +55°C

Expected useful lifetime: L90F10 – 50 000 h, L80F20 – 100 000 h

CRI: >70 for 5000K, 4000K; >80 for 3500K, 2700K

Corrective factor S/P: 1,8 for 5000K; 1,45 for 3500K, 2700K; 1,55 for 4000K

Input voltage frequency: 50/60Hz

Inrush current: : 70A / 220us

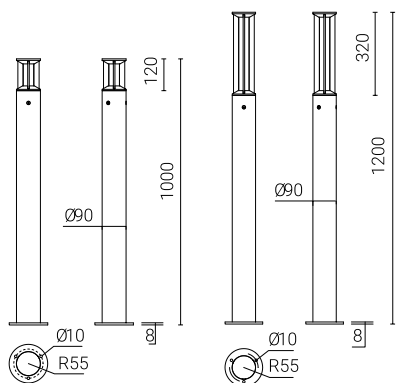


Code	Symbol	LED power	Luminaire Power consumption	Colour temperature (CCT)	Luminaire luminous flux ¹⁾	Luminous efficacy	Unit volume	Concrete footing / reinforcement basket type	Net weight
45290/1/C...	SLICE LED 1000	12W	14W	2700K	350lm	25lm/W	0,021m ³	B-0A / Z-0A	4,6kg
45290/3/C...	SLICE LED 1000	12W	14W	3500K	450lm	32lm/W	0,021m ³	B-0A / Z-0A	4,6kg
45290/4/C...	SLICE LED 1000	12W	14W	4000K	500lm	35lm/W	0,021m ³	B-0A / Z-0A	4,6kg
45290/6/C...	SLICE LED 1000	12W	14W	5000K	500lm	35lm/W	0,021m ³	B-0A / Z-0A	4,6kg
45291/1/C...	SLICE LED 1200	12W	14W	2700K	850lm	61lm/W	0,025m ³	B-0A / Z-0A	5,3kg
45291/3/C...	SLICE LED 1200	12W	14W	3500K	1000lm	71lm/W	0,025m ³	B-0A / Z-0A	5,3kg
45291/4/C...	SLICE LED 1200	12W	14W	4000K	1050lm	75lm/W	0,025m ³	B-0A / Z-0A	5,3kg
45291/6/C...	SLICE LED 1200	12W	14W	5000K	1050lm	75lm/W	0,025m ³	B-0A / Z-0A	5,3kg

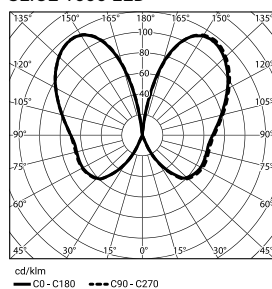
/C... – choice of anodising colour

2) tolerance +/- 7% due to LEDs accuracy

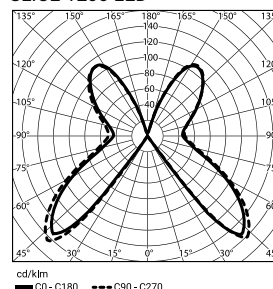
Directive: 2014/35/UE (Official Journal of the UE L 96/357 29.03.2014), 2014/30/UE (Official Journal of the UE L 96/79 29.03.2014), 2011/65/UE, 2009/125/EC



SLICE 1000 LED



SLICE 1200 LED



Overcurrent switches MCB type B or C

Lighting columns	Typ	2A	4A	6A	10A	16A	20A	25A
SLICE LED	B	1	2	3	5	8	10	12
	C	1	3	5	8	13	16	20

Fuse – type gG and GL

Lighting columns	2A	4A	6A	10A	16A	20A	25A
SLICE LED	0	3	5	7	15	20	29