

BEAM I LED



Application: residential roads (internal), surrounding office buildings, parks, pedestrians, parkings, urban roads

Ingress protection: IP 66 dla części optycznej i układu zasilającego

Material: anodised aluminium alloy

Colour: inox / grey

Optical system: PMMA optics, interchangeable LED module

Number of LEDs: 12 for 24W, 36W; 24 for 48W, 60W, 72W

Operating temperature range: from -40°C to +55°C

Expected useful lifetime: L90F10 - 50 000 h, L80F20 - 100000 h

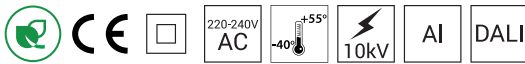
CRI: >80 for 3500K, 2700K; >70 for 5000K, 4000K

Input voltage frequency: 50/60Hz

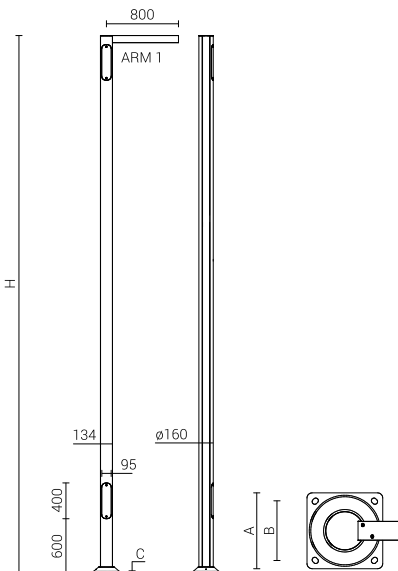
Power factor: ≥ 0.95

Inrush current: : 21A / 225 μ s for 24W, 36W; 46A / 250 μ s for 48W, 60W, 72W

Lighting set BEAM I LED has the possibility to connect to an external control system via DALI interface (optionally via analog signal 1- 10V).



Symbol	Height [H]	Dimension of the base plate (side [A]/ bolt spacing [B]/ thickness [C])	Concrete footing / reinforcement basket type	Concrete footing / reinforcement basket code	Fasteners	Net weight	Approximate unit volume
BEAM I LED	4,0m	320 / 250 / 10	B-60 / Z-60	311160 / 311206	4008	27,0kg	0,50m ³
BEAM I LED	5,0m	320 / 250 / 10	B-60 / Z-60	311160 / 311206	4008	32,0kg	0,60m ³
BEAM I LED	6,0m	320 / 250 / 10	B-60 / Z-60	311160 / 311206	4008	38,0kg	0,80m ³
BEAM I LED	7,0m	400 / 300 / 10	B-70, B-71 / Z-70, Z-71	311170, 311171 / 311207, 311271	4012	45,5kg	1,10m ³
BEAM I LED	8,0m	400 / 300 / 12	B-70, B-71 / Z-70, Z-71	311170, 311171 / 311207, 311271	4012	54,0kg	1,30m ³



Order code

2160000/32/3/T3

Arm height #1 - H

40 = 4,0m
45 = 4,5m
50 = 5,0m
55 = 5,5m
60 = 6,0m
65 = 6,5m
70 = 7,0m
75 = 7,5m
80 = 8,0m

Arm power variant #1

for example 32/3/T3 = arm
BEAM I LED 36 3500K
with optics T3

Code	Symbol	LED power	Luminaire Power consumption	LED forward current	Colour temperature (CCT)	LEDs luminous flux ²⁾	Luminaire luminous flux ²⁾	Luminous efficacy
30/1/... ¹⁾	BEAM I LED 24	24W	28W	700mA	2700K	3 600lm	2900lm	104lm/W
30/3/... ¹⁾	BEAM I LED 24	24W	28W	700mA	3500K	3 700lm	3000lm	107lm/W
30/4/... ¹⁾	BEAM I LED 24	24W	28W	700mA	4000K	4 350lm	3500lm	125lm/W
30/6/... ¹⁾	BEAM I LED 24	24W	28W	700mA	5000K	4 350lm	3500lm	125lm/W
32/1/... ¹⁾	BEAM I LED 36	36W	40W	1000mA	2700K	4 900lm	3950lm	99lm/W
32/3/... ¹⁾	BEAM I LED 36	36W	40W	1000mA	3500K	5 100lm	4150lm	104lm/W
32/4/... ¹⁾	BEAM I LED 36	36W	40W	1000mA	4000K	6 000lm	4800lm	120lm/W
32/6/... ¹⁾	BEAM I LED 36	36W	40W	1000mA	5000K	6 000lm	4800lm	120lm/W
33/1/... ¹⁾	BEAM I LED 48	48W	55W	700mA	2700K	7 050lm	5700lm	104lm/W
33/3/... ¹⁾	BEAM I LED 48	48W	55W	700mA	3500K	7 350lm	5950lm	108lm/W
33/4/... ¹⁾	BEAM I LED 48	48W	55W	700mA	4000K	8 650lm	6950lm	126lm/W
33/6/... ¹⁾	BEAM I LED 48	48W	55W	700mA	5000K	8 650lm	6950lm	126lm/W
34/1/... ¹⁾	BEAM I LED 60	60W	67W	830mA	2700K	8 150lm	6600lm	99lm/W
34/3/... ¹⁾	BEAM I LED 60	60W	67W	830mA	3500K	8 500lm	6900lm	103lm/W
34/4/... ¹⁾	BEAM I LED 60	60W	67W	830mA	4000K	10 050lm	8150lm	122lm/W
34/6/... ¹⁾	BEAM I LED 60	60W	67W	830mA	5000K	10 050lm	8150lm	122lm/W
35/1/... ¹⁾	BEAM I LED 72	72W	79W	1000mA	2700K	9 450lm	7650lm	97lm/W
35/3/... ¹⁾	BEAM I LED 72	72W	79W	1000mA	3500K	9 900lm	8050lm	102lm/W
35/4/... ¹⁾	BEAM I LED 72	72W	79W	1000mA	4000K	11 650lm	9350lm	118lm/W
35/6/... ¹⁾	BEAM I LED 72	72W	79W	1000mA	5000K	11 650lm	9350lm	118lm/W

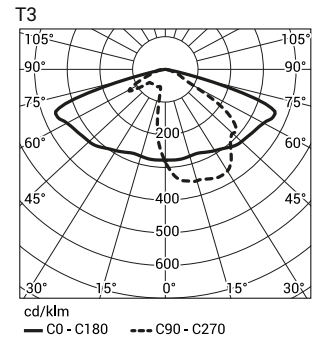
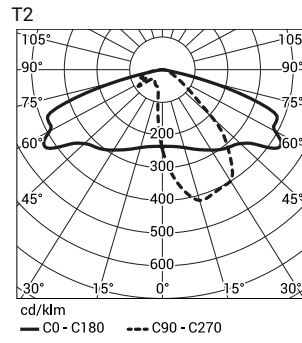
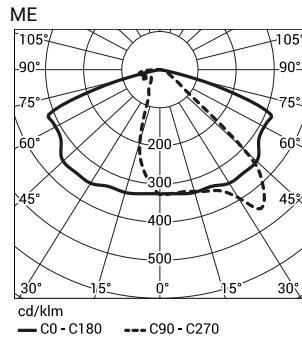
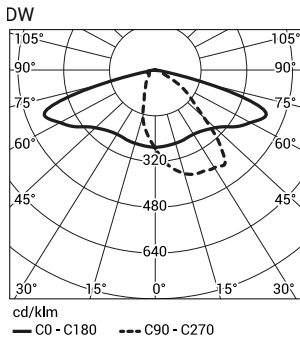
1) symbol of chosen optical system eg. 30/3/T2 is a bracket BEAM I LED 24 with T2 optical system, 3500K

2) tolerance +/- 5% due to LEDs accuracy

Directive: 2014/35/UE (Official Journal of the UE L 96/357 29.03.2014), 2014/30/UE (Official Journal of the UE L 96/79 29.03.2014), 2011/65/UE, 2009/125/EC

Finish: option of elastomer protection in the colour of LED lighting sets up to the height of 350 mm (as standard for C163, C165, C175, C178 interference colors)

Field category	Acceptable height of the LED lighting set			
	I zone Vref. = 22 m/s	I & III zone, up to 450m by s.I Vref. = 24 m/s	II zone Vref. = 26 m/s	III zone up to 755m by s.I Vref. = 28 m/s
I	7,5	7	6,5	6
II	8	7,5	7	6,5
III	8	8	7,5	7
IV	8	8	8	7,5



BEAM I LED in standard has following functions of intelligent power supply:

- Connection to outside control system by DALI interface (operation of analog signal 1-10V as an option),
- Possibility of programming multistage dimming of luminaire, up to 5 intervals in the range of from 10 to 100% of nominal power,
- Temperature protection of LED module (from overheating) in case of unintentional luminaire operation during the,
- Regulation of power / luminous flux – the option of setting another value than the catalogue in the range of 30-100% of nominal one,

Acceptable quantity of luminaires BEAM I LED on one circuit, protected by:

Overcurrent switches MCB type B or C

Lighting sets	Type	2A	4A	6A	10A	16A	20A	25A
BEAM I LED 24, 36W	B	3	6	10	16	26	32	40
	C	3	10	16	27	44	54	67
BEAM I LED 48, 60, 72W	B	1	2	4	6	11	13	17
	C	1	4	6	11	18	22	28

Fuse – type gG and GL

Lighting sets	2A	4A	6A	10A	16A	20A	25A
BEAM I LED 24, 36W	1	10	19	25	50	68	97
BEAM I LED 48, 60, 72W	0	4	8	11	21	29	42