



Application: parks, pedestrians

Assembly: on S and SP type columns with spigot type B, on bracket configurations, on wall brackets KR, KP, columns, extension arms, aluminium brackets with $\phi 60 \times 60$ mm ending

Ingress protection: IP 66 for the optical part, IP54 for the driver

Material: body – UV resistant polypropylene with glass fiber, diffuser – frosted PMMA or transparent PMMA

Colour: black

Number of LEDs: 16

Operating temperature range: from -40°C to $+40^{\circ}\text{C}$

Expected useful lifetime: L90F10 – 50 000 h, L80F20 – 100 000 h

CRI: >80 for 3500K, 2700K; >70 for 4000K, 5000K

Input voltage frequency: 50/60Hz

Power factor: ≥ 0.95

Inrush current: : 18A / 280 μs

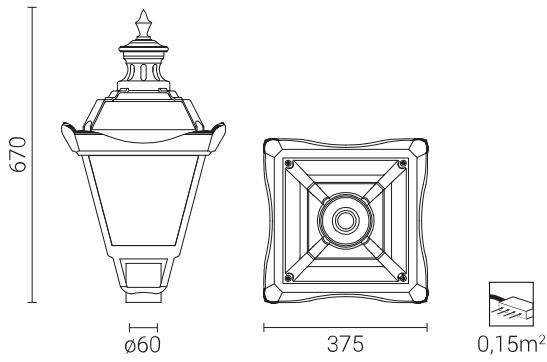
Luminaire OS-11 LED has the possibility to connect to an external control system via DALI interface (optionally via analog signal 1- 10V).



Code	Symbol	Diffuser	LED power	Luminaire Power consumption	LED forward current	Colour temperature (CCT)	LEDs luminous flux ¹⁾	Luminaire luminous flux ¹⁾	Luminous efficacy	Unit volume	Luminaire net weight
2110050/1	OS-11 LED	frosted	38W	42W	800mA	2700K	4 650lm	3650lm	87lm/W	0,1m ³	5,3kg
2110050/3	OS-11 LED	frosted	38W	42W	800mA	3500K	4 900lm	3850lm	92lm/W	0,1m ³	5,3kg
2110050/4	OS-11 LED	frosted	38W	42W	800mA	4000K	6 300lm	4950lm	118lm/W	0,1m ³	5,3kg
2110050/6	OS-11 LED	frosted	38W	42W	800mA	5000K	6 300lm	4950lm	118lm/W	0,1m ³	5,3kg
2112050/1	OS-11 LED	transparent	38W	42W	800mA	2700K	4 650lm	3800lm	90lm/W	0,1m ³	5,3kg
2112050/3	OS-11 LED	transparent	38W	42W	800mA	3500K	4 900lm	4000lm	95lm/W	0,1m ³	5,3kg
2112050/4	OS-11 LED	transparent	38W	42W	800mA	4000K	6 300lm	5150lm	123lm/W	0,1m ³	5,3kg
2112050/6	OS-11 LED	transparent	38W	42W	800mA	5000K	6 300lm	5150lm	123lm/W	0,1m ³	5,3kg
2110050/1/A	OS-11 LED	frosted	38W	42W	800mA	2700K	4 650lm	3500lm	83lm/W	0,1m ³	5,3kg
2110050/3/A	OS-11 LED	frosted	38W	42W	800mA	3500K	4 900lm	3700lm	88lm/W	0,1m ³	5,3kg
2110050/4/A	OS-11 LED	frosted	38W	42W	800mA	4000K	6 300lm	4750lm	113lm/W	0,1m ³	5,3kg
2110050/6/A	OS-11 LED	frosted	38W	42W	800mA	5000K	6 300lm	4750lm	113lm/W	0,1m ³	5,3kg
2112050/1/A	OS-11 LED	transparent	38W	42W	800mA	2700K	4 650lm	3650lm	87lm/W	0,1m ³	5,3kg
2112050/3/A	OS-11 LED	transparent	38W	42W	800mA	3500K	4 900lm	3850lm	92lm/W	0,1m ³	5,3kg
2112050/4/A	OS-11 LED	transparent	38W	42W	800mA	4000K	6 300lm	4950lm	118lm/W	0,1m ³	5,3kg
2112050/6/A	OS-11 LED	transparent	38W	42W	800mA	5000K	6 300lm	4950lm	118lm/W	0,1m ³	5,3kg

1) tolerance +/- 5% due to LEDs accuracy

Directive: 2014/35/UE (Official Journal of the UE L 96/357 29.03.2014), 2014/30/UE (Official Journal of the UE L 96/79 29.03.2014), 2011/65/UE, 2009/125/EC

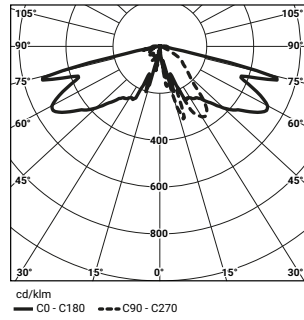
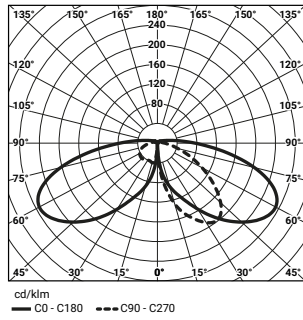
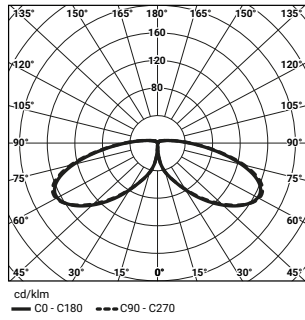
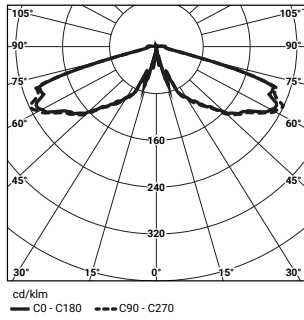


transparent lamp diffuser

frosted lamp diffuser

A - frosted lamp diffuser

A - transparent lamp diffuser



Acceptable quantity of luminaires OS-11 LED on one circuit, protected by:

Overcurrent switches MCB type B or C

Luminaire	Typ	2A	4A	6A	10A	16A	20A	25A
OS-11 LED	B	4	7	12	18	30	37	46
	C	4	12	18	31	51	62	78

Fuse – type gG and GL

Luminaire	2A	4A	6A	10A	16A	20A	25A
OS 11 LED	1	10	20	26	52	71	101