



Application: parks, pedestrians

Assembly: on S and SP type columns with spigot type B, on bracket configurations, on wall brackets KR, KP columns, extension arms, aluminium wall brackets with $\varnothing 60 \times 60$ mm ending

Expected useful lifetime: L90F10 – 50 000 h, L80F20 – 100 000 h

Material: body – UV resistant polypropylene with glass fiber

Colour: black / LED panel inox

Number of LEDs: 16

Operating temperature range: from -40°C to $+40^{\circ}\text{C}$

Expected useful lifetime: L90F10 – 50 000 h, L80F20 – 100 000 h

CRI: >70 for 5000K, 4000K; >80 for 3500K, 2700K

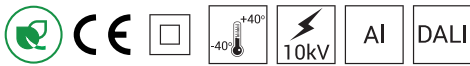
Corrective factor S/P: 1,8 for 5000K; 1,45 for 3500K, 2700K; 1,55 for 4000K

Input voltage frequency: 50/60Hz

Power factor: ≥ 0.95

Inrush current: : 21A / 225 μs

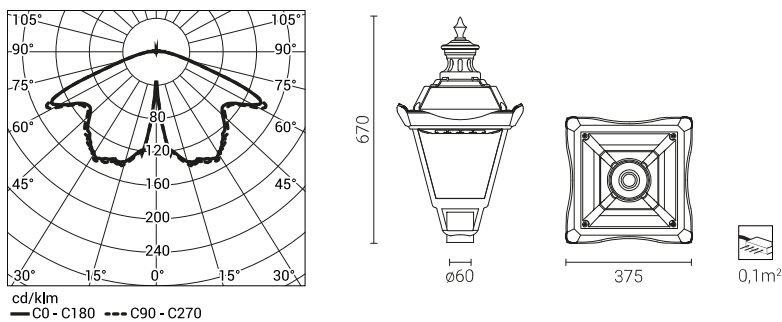
Luminaire OS-1 LED has the possibility to connect to an external control system via DALI interface (optionally via analog signal 1- 10V).



Kod	Symbol	LED power	Luminaire Power consumption	LED forward current	Colour temperature (CCT)	LEDs luminous flux ¹⁾	Luminaire luminous flux ¹⁾	Luminous efficacy	Unit volume	Luminaire net weight
211331/1	OS-1 LED 32	32W	36W	700mA	2700K	4 950lm	3600lm	100lm/W	0,1m ³	5,2kg
211331/3	OS-1 LED 32	32W	36W	700mA	3500K	5 150lm	3750lm	104lm/W	0,1m ³	5,2kg
211331/4	OS-1 LED 32	32W	36W	700mA	4000K	5 900lm	4250lm	118lm/W	0,1m ³	5,2kg
211331/6	OS-1 LED 32	32W	36W	700mA	5000K	5 900lm	4250lm	118lm/W	0,1m ³	5,2kg

1) tolerance +/- 5% due to LEDs accuracy

Directive: 2014/35/UE (Official Journal of the UE L 96/357 29.03.2014), 2014/30/UE (Official Journal of the UE L 96/79 29.03.2014), 2011/65/UE, 2009/125/EC



Acceptable quantity of luminaires OS-1LED on one circuit, protected by:

Overcurrent switches MCB type B or C

Luminaire	Typ	2A	4A	6A	10A	16A	20A	25A
OS-1 LED	B	3	6	10	16	26	32	40
	C	3	6	16	27	44	54	67

Fuse – type gG and GL

Luminaire	2A	4A	6A	10A	16A	20A	25A
OS 1 LED	1	10	19	25	50	68	97