



TECHNICAL DATA

| | |
|------------------------------------|--|
| Application | motorways and expressway, urban roads, residential roads (internal), pedestrians, parkings |
| Assembly | directly on column with ø 60 x 180 mm ending or on extension arm with ø 60 x 100 mm ending |
| Colour | inox / black |
| Ingress protection | IP 66 for the optical part and the driver |
| Material | anodised aluminium alloy |
| Operating temperature range | from -40°C to +40°C |
| Expected useful lifetime | L90B10 - 100 000 h |
| CRI | >70 |
| Input voltage frequency | 50/60Hz |
| Power factor | ≥0.95 |
| Number of LED | 24 (dla 48 W, 60 W, 72 W); 64 (dla 96 W, 120 W, 144 W, 192 W) |
| Control system | The luminaire can be connected to an external control system via a 5-pin socket compatible with ANSI C136.41 (optional installation of a 7-pin socket). Standard communication interface: DALI (optional 1-10V analog signal support). |

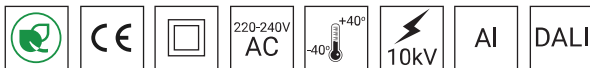


TABLE OF TYPES

| Code | Symbol | LED power | Luminaire power consumption | LED forward current | Colour temperature (CCT) | LEDs luminous flux ¹ | Luminaire luminous flux ¹ | Luminous efficacy ¹ | Unit volume | Net weight |
|----------------------------|----------------------------|-----------|-----------------------------|---------------------|--------------------------|---------------------------------|--------------------------------------|--------------------------------|----------------------|------------|
| 2224133/1/... ² | CUDDLE II LED REG 48 NEMA | 48 W | 55 W | 700 mA | 2700 K | 8150 lm | 6950 lm | 126 lm/W | 0.029 m ³ | 6.9 kg |
| 2224133/3/... ² | CUDDLE II LED REG 48 NEMA | 48 W | 55 W | 700 mA | 3500 K | 8650 lm | 7350 lm | 134 lm/W | 0.029 m ³ | 6.9 kg |
| 2224133/4/... ² | CUDDLE II LED REG 48 NEMA | 48 W | 55 W | 700 mA | 4000 K | 9150 lm | 7800 lm | 142 lm/W | 0.029 m ³ | 6.9 kg |
| 2224133/6/... ² | CUDDLE II LED REG 48 NEMA | 48 W | 55 W | 700 mA | 5000 K | 9150 lm | 7800 lm | 142 lm/W | 0.029 m ³ | 6.9 kg |
| 2224134/1/... ² | CUDDLE II LED REG 60 NEMA | 60 W | 67 W | 830 mA | 2700 K | 9300 lm | 7950 lm | 119 lm/W | 0.029 m ³ | 6.9 kg |
| 2224134/3/... ² | CUDDLE II LED REG 60 NEMA | 60 W | 67 W | 830 mA | 3500 K | 9850 lm | 8400 lm | 125 lm/W | 0.029 m ³ | 6.9 kg |
| 2224134/4/... ² | CUDDLE II LED REG 60 NEMA | 60 W | 67 W | 830 mA | 4000 K | 10450 lm | 8900 lm | 133 lm/W | 0.029 m ³ | 6.9 kg |
| 2224134/6/... ² | CUDDLE II LED REG 60 NEMA | 60 W | 67 W | 830 mA | 5000 K | 10450 lm | 8900 lm | 133 lm/W | 0.029 m ³ | 6.9 kg |
| 2224135/1/... ² | CUDDLE II LED REG 72 NEMA | 72 W | 79 W | 1000 mA | 2700 K | 10700 lm | 9100 lm | 115 lm/W | 0.029 m ³ | 6.9 kg |
| 2224135/3/... ² | CUDDLE II LED REG 72 NEMA | 72 W | 79 W | 1000 mA | 3500 K | 11350 lm | 9700 lm | 123 lm/W | 0.029 m ³ | 6.9 kg |
| 2224135/4/... ² | CUDDLE II LED REG 72 NEMA | 72 W | 79 W | 1000 mA | 4000 K | 12100 lm | 10300 lm | 130 lm/W | 0.029 m ³ | 6.9 kg |
| 2224135/6/... ² | CUDDLE II LED REG 72 NEMA | 72 W | 79 W | 1000 mA | 5000 K | 12100 lm | 10300 lm | 130 lm/W | 0.029 m ³ | 6.9 kg |
| 2224137/1/... ² | CUDDLE II LED REG 96 NEMA | 96 W | 105 W | 500 mA | 2700 K | 16000 lm | 13650 lm | 130 lm/W | 0.038 m ³ | 9.2 kg |
| 2224137/3/... ² | CUDDLE II LED REG 96 NEMA | 96 W | 105 W | 500 mA | 3500 K | 16950 lm | 14450 lm | 138 lm/W | 0.038 m ³ | 9.2 kg |
| 2224137/4/... ² | CUDDLE II LED REG 96 NEMA | 96 W | 105 W | 500 mA | 4000 K | 18000 lm | 15350 lm | 146 lm/W | 0.038 m ³ | 9.2 kg |
| 2224137/6/... ² | CUDDLE II LED REG 96 NEMA | 96 W | 105 W | 500 mA | 5000 K | 18000 lm | 15350 lm | 146 lm/W | 0.038 m ³ | 9.2 kg |
| 2224139/1/... ² | CUDDLE II LED REG 120 NEMA | 120 W | 129 W | 625 mA | 2700 K | 19250 lm | 16400 lm | 127 lm/W | 0.038 m ³ | 9.2 kg |
| 2224139/3/... ² | CUDDLE II LED REG 120 NEMA | 120 W | 129 W | 625 mA | 3500 K | 20500 lm | 17450 lm | 135 lm/W | 0.038 m ³ | 9.2 kg |
| 2224139/4/... ² | CUDDLE II LED REG 120 NEMA | 120 W | 129 W | 625 mA | 4000 K | 21700 lm | 18500 lm | 143 lm/W | 0.038 m ³ | 9.2 kg |
| 2224139/6/... ² | CUDDLE II LED REG 120 NEMA | 120 W | 129 W | 625 mA | 5000 K | 21700 lm | 18500 lm | 143 lm/W | 0.038 m ³ | 9.2 kg |
| 2224141/1/... ² | CUDDLE II LED REG 144 NEMA | 144 W | 154 W | 750 mA | 2700 K | 22350 lm | 19050 lm | 124 lm/W | 0.038 m ³ | 9.2 kg |
| 2224141/3/... ² | CUDDLE II LED REG 144 NEMA | 144 W | 154 W | 750 mA | 3500 K | 23750 lm | 20250 lm | 131 lm/W | 0.038 m ³ | 9.2 kg |
| 2224141/4/... ² | CUDDLE II LED REG 144 NEMA | 144 W | 154 W | 750 mA | 4000 K | 25150 lm | 21450 lm | 139 lm/W | 0.038 m ³ | 9.2 kg |
| 2224141/6/... ² | CUDDLE II LED REG 144 NEMA | 144 W | 154 W | 750 mA | 5000 K | 25150 lm | 21450 lm | 139 lm/W | 0.038 m ³ | 9.2 kg |
| 2224146/1/... ² | CUDDLE II LED REG 192 NEMA | 192 W | 205 W | 1000 mA | 2700 K | 27850 lm | 23750 lm | 116 lm/W | 0.038 m ³ | 9.2 kg |
| 2224146/3/... ² | CUDDLE II LED REG 192 NEMA | 192 W | 205 W | 1000 mA | 3500 K | 29600 lm | 25250 lm | 123 lm/W | 0.038 m ³ | 9.2 kg |
| 2224146/4/... ² | CUDDLE II LED REG 192 NEMA | 192 W | 205 W | 1000 mA | 4000 K | 31350 lm | 26700 lm | 130 lm/W | 0.038 m ³ | 9.2 kg |
| 2224146/6/... ² | CUDDLE II LED REG 192 NEMA | 192 W | 205 W | 1000 mA | 5000 K | 31350 lm | 26700 lm | 130 lm/W | 0.038 m ³ | 9.2 kg |

1) tolerance +/- 5% due to LEDs accuracy

2) symbol of chosen optical system eg. 2224133/6/T2 is CUDDLE II LED REG 48 NEMA 5000K with T2 optical system

3) SHD diaphragm reducing light distribution by 18.5% and reducing the luminaire's backlight

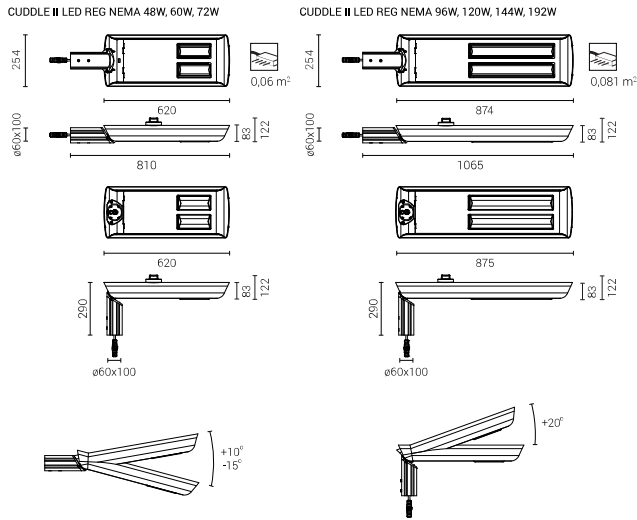
DIRECTIVES AND STANDARDS

DIRECTIVES: 2014/35/UE (Official Journal of the UE L 96/357 29.03.2014), 2014/30/UE (Official Journal of the UE L 96/79 29.03.2014), 2011/65/UE, 2009/125/EC
STANDARDS: PN-EN IEC 60598-1: 2021-7, PN-EN 60598-2-3: 2006, PN-EN 60529: 2003, PN-EN 62262: 2003, PN-EN 62471:2010, PN-EN 55015: 2013, PN-EN 61547: 2009, PN-EN 61000-3-2: 2014 , PN-EN 61000-3-3: 2013

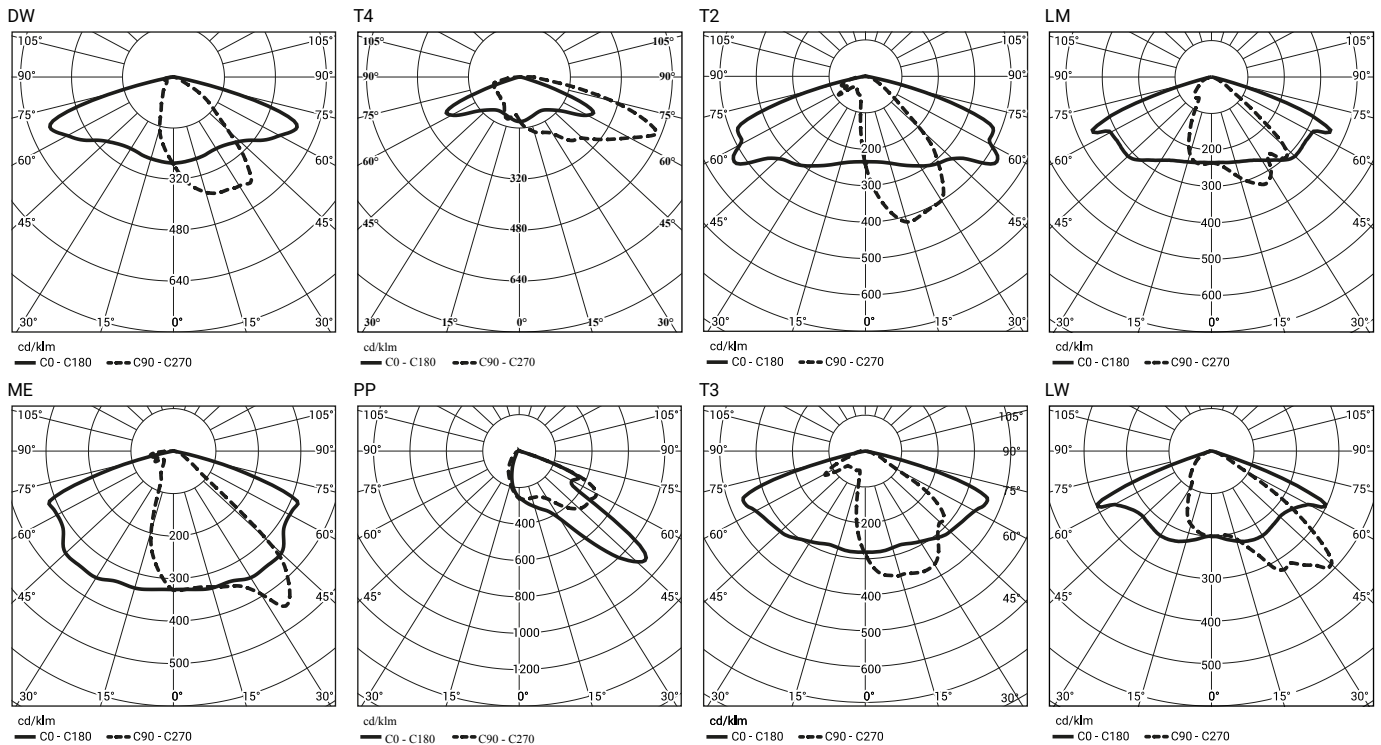
CHARGING DISCHARGE FROM THE LED LUMINAIRE HOUSING

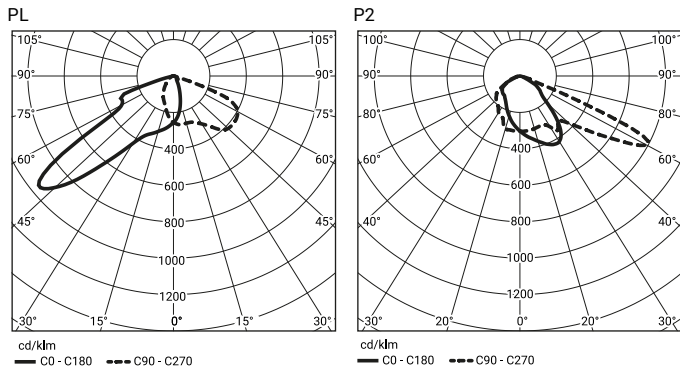
In order to efficient discharge the electrostatic charge from the housing of LED fitting installed on the pole from dielectric material (non-conductive) one of the following solutions is required:
 - functional grounding
 - LED luminaire with an additional protection device

TECHNICAL DRAWING



PHOTOMETRIC CURVES





POWER SYSTEM FUNCTIONS

Luminaire in standard has following functions of intelligent power supply:

- Connection to outside control system by DALI interface (operation of analog signal 1-10V as an option),
- Possibility of programming multistage dimming of luminaire, up to 5 intervals in the range of from 10 to 100% of nominal power,
- Temperature protection of LED module (from overheating) in case of unintentional luminaire operation during the,
- Regulation of power / luminous flux – the option of setting another value than the catalogue in the range of 30-100% of nominal one,

ACCEPTABLE QUANTITY OF LUMINAIRES ON ONE CIRCUIT

Overcurrent switches MCB type B or C

| Luminaire | Typ | 2A | 4A | 6A | 10A | 16A | 20A | 25A |
|---|-----|----|----|----|-----|-----|-----|-----|
| CUDDLE II LED REG NEMA 48, 60, 72W | B | 1 | 2 | 4 | 6 | 10 | 12 | 15 |
| | C | 1 | 4 | 6 | 10 | 17 | 20 | 26 |
| CUDDLE II LED REG NEMA 96, 120, 144W | B | 1 | 2 | 3 | 5 | 9 | 11 | 14 |
| | C | 1 | 3 | 5 | 9 | 15 | 18 | 23 |
| CUDDLE II LED REG NEMA 192W | B | 1 | 2 | 3 | 5 | 8 | 10 | 12 |
| | C | 1 | 3 | 5 | 8 | 13 | 16 | 20 |

Fuse – type gG and GL

| Luminaire | 2A | 4A | 6A | 10A | 16A | 20A | 25A |
|---|----|----|----|-----|-----|-----|-----|
| CUDDLE II LED REG NEMA 48, 60, 72W | 0 | 4 | 8 | 11 | 22 | 31 | 44 |
| CUDDLE II LED REG NEMA 96, 120, 144W | 0 | 2 | 5 | 7 | 14 | 20 | 28 |
| CUDDLE II LED REG NEMA 192W | 0 | 2 | 5 | 6 | 13 | 17 | 22 |