

TECHNICAL DATA

Application	motorways and expressway, urban roads, residential roads (internal), pedestrians, parkings
Assembly	pole top mounted or on extension arms with $\varnothing 42 - \varnothing 60 \times 100$ mm ending
Colour	inox
Ingress protection	IP 66
Optical system	PMMA optics, interchangeable LED module
Material	anodised aluminium alloy
Expected useful lifetime	L90B10 - 100 000 h
CRI	>70
Input voltage frequency	50/60Hz
Power factor	≥ 0.95
Number of LED	64 - 48 W, 96 - 72 W, 128 - 96 W
Control system	The luminaire can be connected to an external control system via a 5-pin socket compatible with ANSI C136.41 (optional installation of a 7-pin socket). Standard communication interface: DALI (optional 1-10V analog signal support).

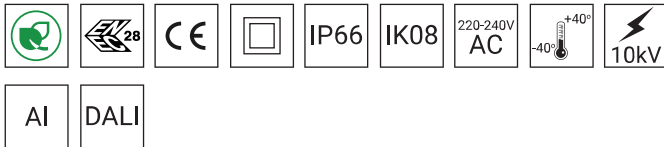


TABLE OF TYPES

Code	Symbol	LED power	Luminaire power consumption	LED forward current	Colour temperature (CCT)	LEDs luminous flux ¹	Luminaire luminous flux ¹	Luminous efficacy ¹	Unit volume	Net weight
2226133/1/... ²	LOCO LED 48 NEMA	48 W	55 W	500 mA	2700 K	7400 lm	6650 lm	120 lm/W	0.027 m ³	5.3 kg
2226133/3/... ²	LOCO LED 48 NEMA	48 W	55 W	500 mA	3500 K	8000 lm	7200 lm	131 lm/W	0.027 m ³	5.3 kg
2226133/4/... ²	LOCO LED 48 NEMA	48 W	55 W	500 mA	4000 K	8000 lm	7200 lm	131 lm/W	0.027 m ³	5.3 kg
2226135/1/... ²	LOCO LED 72 NEMA	72 W	80 W	1000 mA	2700 K	11150 lm	9900 lm	124 lm/W	0.027 m ³	5.3 kg
2226135/3/... ²	LOCO LED 72 NEMA	72 W	80 W	1000 mA	3500 K	12100 lm	10750 lm	134 lm/W	0.027 m ³	5.3 kg
2226135/4/... ²	LOCO LED 72 NEMA	72 W	80 W	1000 mA	4000 K	12100 lm	10750 lm	134 lm/W	0.027 m ³	5.3 kg
2226137/1/... ²	LOCO LED 96 NEMA	96 W	104 W	500 mA	2700 K	14800 lm	12950 lm	124 lm/W	0.027 m ³	5.7 kg
2226137/3/... ²	LOCO LED 96 NEMA	96 W	104 W	500 mA	3500 K	16000 lm	14000 lm	135 lm/W	0.027 m ³	5.7 kg
2226137/4/... ²	LOCO LED 96 NEMA	96 W	104 W	500 mA	4000 K	16000 lm	14000 lm	135 lm/W	0.027 m ³	5.7 kg

1) tolerance +/- 5% due to LEDs accuracy

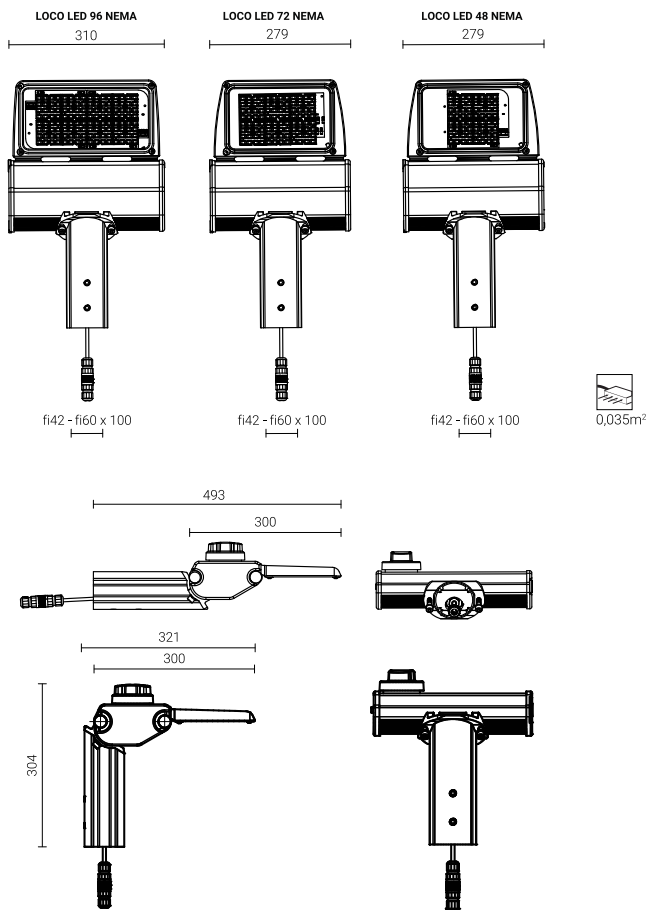
2) symbol of chosen optical system eg. 2226133/6/T2 is LOCO LED 48 NEMA 5000K with T2 optical system

DIRECTIVES AND STANDARDS

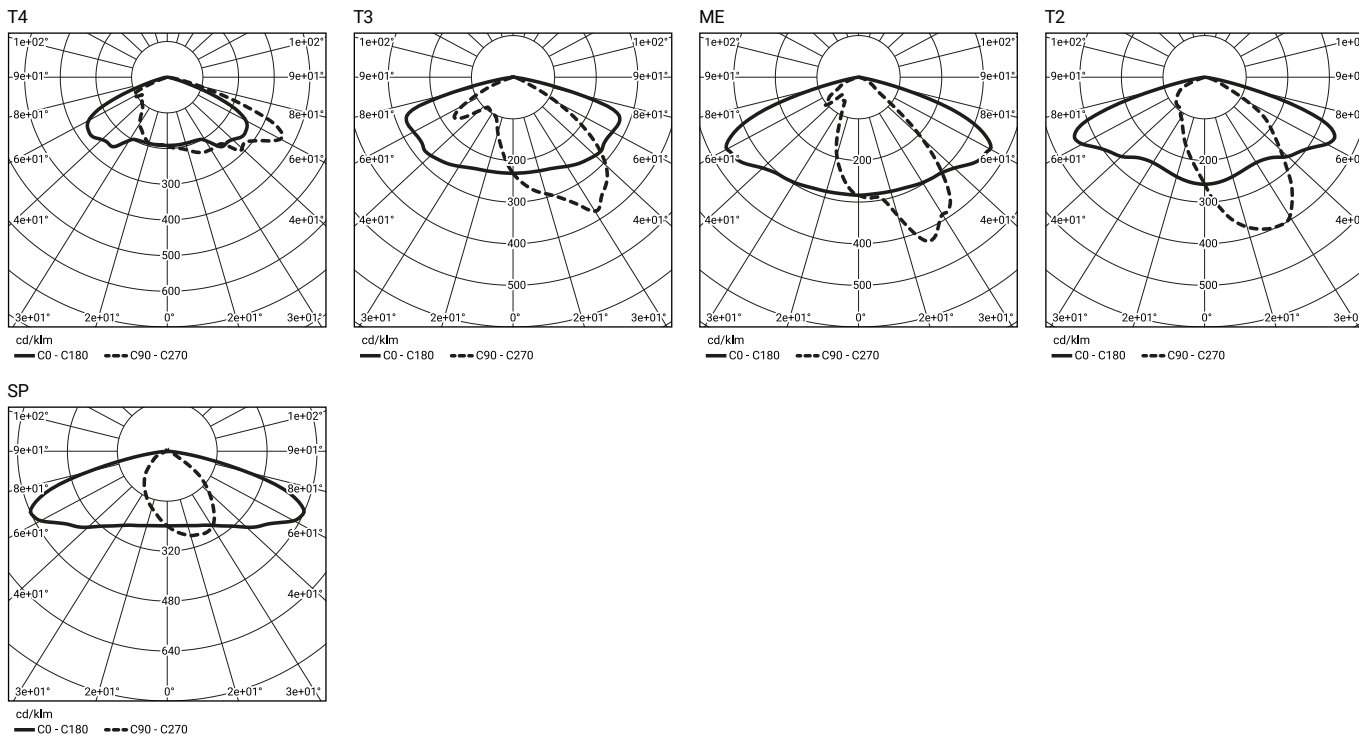
DIRECTIVES: 2014/35/UE (Official Journal of the UE L 96/357 29.03.2014), 2014/30/UE (Official Journal of the UE L 96/79 29.03.2014), 2011/65/UE, 2009/125/EC

STANDARDS: PN-EN IEC 60598-1: 2021-7, PN-EN 60598-2-3: 2006, PN-EN 60529: 2003, PN-EN 62262: 2003, PN-EN 62471:2010, PN-EN 55015: 2013, PN-EN 61547: 2009, PN-EN 61000-3-2: 2014, PN-EN 61000-3-3: 2013

TECHNICAL DRAWING



PHOTOMETRIC CURVES



POWER SYSTEM FUNCTIONS

Luminaire in standard has following functions of intelligent power supply:

- Connection to outside control system by DALI interface (operation of analog signal 1-10V as an option),
- Possibility of programming multistage dimming of luminaire, up to 5 intervals in the range of from 10 to 100% of nominal power,
- Temperature protection of LED module (from overheating) in case of unintentional luminaire operation during the,
- Regulation of power / luminous flux – the option of setting another value than the catalogue in the range of 30-100% of nominal one,

ACCEPTABLE QUANTITY OF LUMINAIRES ON ONE CIRCUIT

Overcurrent switches MCB type B or C

Luminaire	Typ	2A	4A	6A	10A	16A	20A	25A
LOCO LED NEMA 48, 72W	B	1	2	4	6	11	13	17
	C	1	4	6	11	18	22	28
LOCO LED NEMA 96W	B	1	1	3	5	8	12	12
	C	1	3	5	8	13	16	20

Fuse – type gG and GL

Luminaire	2A	4A	6A	10A	16A	20A	25A
LOCO LED NEMA 48, 72W	1	2	11	19	30	38	47
LOCO LED NEMA 96W	1	1	6	9	12	15	19