



TECHNICAL DATA

Application	parks, pedestrians
Assembly	on columns, extension arms, wall brackets, anodised aluminium brackets with ø60x45 mm ending
Colour	black
Ingress protection	IP 65
Material	base - poliamide control gear cover - polycarbonate
Input voltage frequency	50 Hz
Supply voltage	230V AC
Electrical gear cover	mounted on gear frame, magnetic ballast with thermal protection, metal halide lamps MH 70W (EL) optionally available with electronic ballast
Mounting method	upwards or downwards
Type of luminaires	-

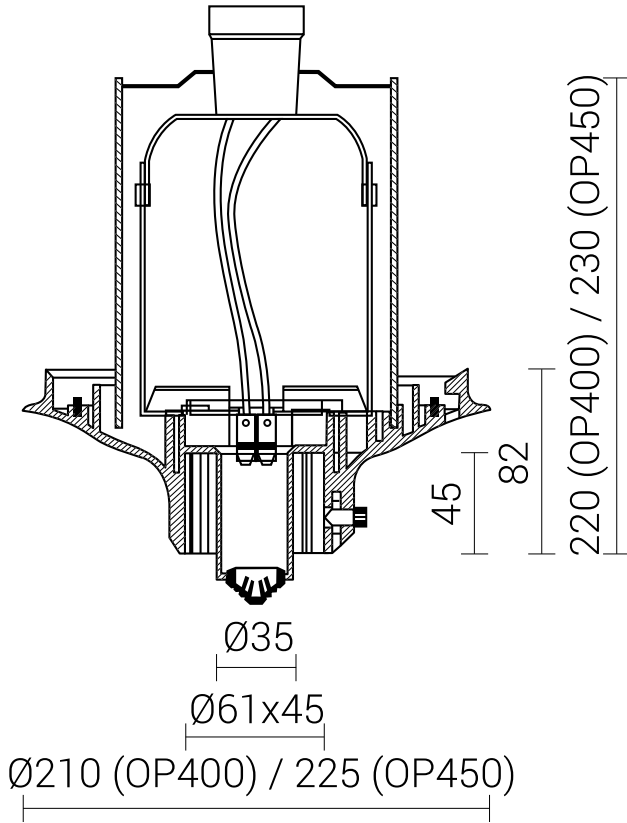


TABLE OF TYPES

Code	Symbol	Power	Luminaire power consumption	Unit volume	Effective projected area	Colour	Light source type	Lamp diffuser neck	Type of diffuser	Net weight
210102	OP S-70W/400	70 W	92 W	0.01 m ³	0.14 m ²	• black	sodium E-27	180 mm	Sphere 400, Klio 400	2.4 kg
210107	OP MH-70W/400	70 W	92 W	0.01 m ³	0.14 m ²	• black	metal halide E-27	180 mm	Sphere 400, Klio 400	2.4 kg
210115	OP E/Z/400	23 W	23 W	0.01 m ³	0.14 m ²	• black	LED E-27	180 mm	Sphere 400, Klio 400	1 kg
210202	OP S-70W/450	70 W	92 W	0.01 m ³	0.17 m ²	• black	sodium E-27	200 mm	Sphere 450	2.7 kg
210215	OP E/Z/450	23 W	23 W	0.01 m ³	0.17 m ²	• black	LED E-27	200 mm	Sphere 450	1.3 kg

: 2014/35/UE (Official Journal of the UE L 96/357 29.03.2014), 2014/30/UE (Official Journal of the UE L 96/79 29.03.2014), 2011/65/UE, 2009/125/EC
 : PN-EN 60598-1: 2015, PN-EN 60529: 2003, PN-EN 62262: 2003,, PN-EN 55015: 2013, PN-EN 61547: 2009, PN-EN 61000-3-2: 2014, PN-EN 61000-3-3: 2013,

TECHNICAL DRAWING



OP S-70 W/400

