



TECHNICAL DATA

Anodising	10 colours
Application	surrounding office buildings, parks, pedestrians
Ingress protection	IP 66 for the optical part and the driver
Material	anodised aluminium alloy
Operating temperature range	from -40°C to +55°C
Expected useful lifetime	L90B10 - 100 000 h
CRI	>70
Input voltage frequency	50/60Hz
Number of LED	4

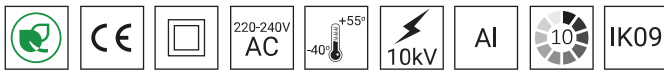
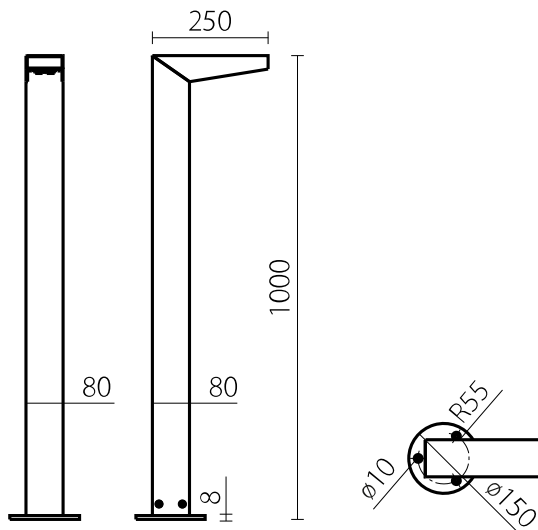


TABLE OF TYPES

Code	Symbol	LED power	Luminaire power consumption	LED forward current	Colour temperature (CCT)	LEDs luminous flux ¹	Luminaire luminous flux ¹	Luminous efficacy ¹	Unit volume	Concrete footing / reinforcement basket type	Net weight
215808/1/C...	CUT-1 LED	8 W	12 W	700 mA	2700 K	1350 lm	1050 lm	88 lm/W	0.022 m ³	B-0A / Z-0A	5.2 kg
215808/3/C...	CUT-1 LED	8 W	12 W	700 mA	3500 K	1450 lm	1100 lm	92 lm/W	0.022 m ³	B-0A / Z-0A	5.2 kg
215808/4/C...	CUT-1 LED	8 W	12 W	700 mA	4000 K	1500 lm	1150 lm	96 lm/W	0.022 m ³	B-0A / Z-0A	5.2 kg
215808/6/C...	CUT-1 LED	8 W	12 W	700 mA	5000 K	1500 lm	1150 lm	96 lm/W	0.022 m ³	B-0A / Z-0A	5.2 kg

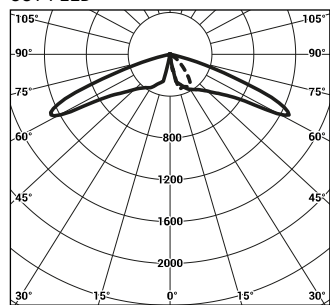
- 1) tolerance +/- 7% due to LEDs accuracy
 2) C... - choice of anodising colour

TECHNICAL DRAWING



PHOTOMETRIC CURVES

CUT-1 LED



cd/Mm
 — C0 - C180 - - - C90 - C270

Wyłączniki nadprądowe MCB typu B lub C

Kolumna	Typ	2A	4A	6A	10A	16A	20A	25A
CUT-1 LED	B	1	2	3	5	8	10	12
	C	1	3	5	8	13	16	20

Bezpieczniki topikowe—typ gG i gL

Kolumna	2A	4A	6A	10A	16A	20A	25A
CUT-1 LED	0	3	5	7	15	20	29